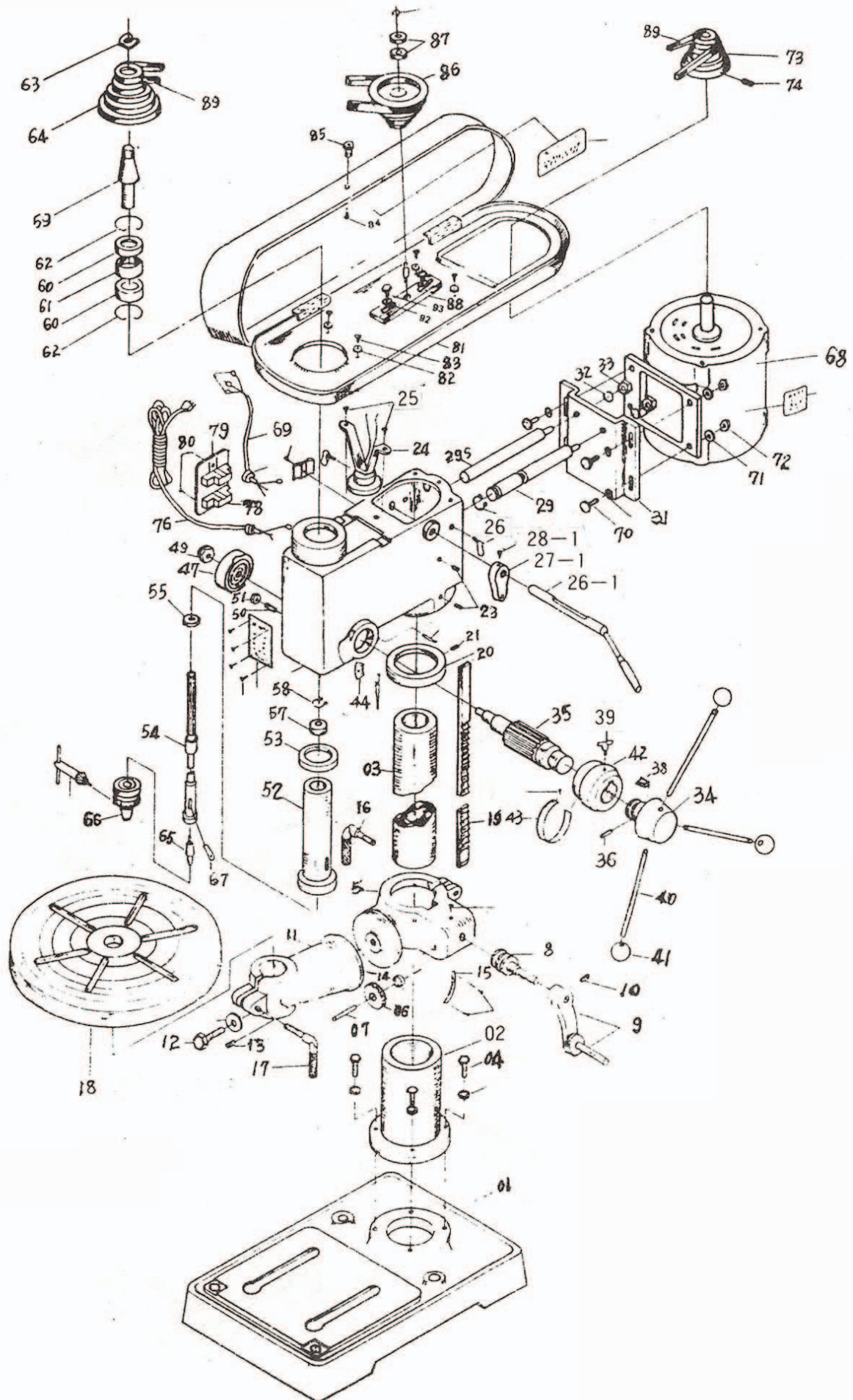
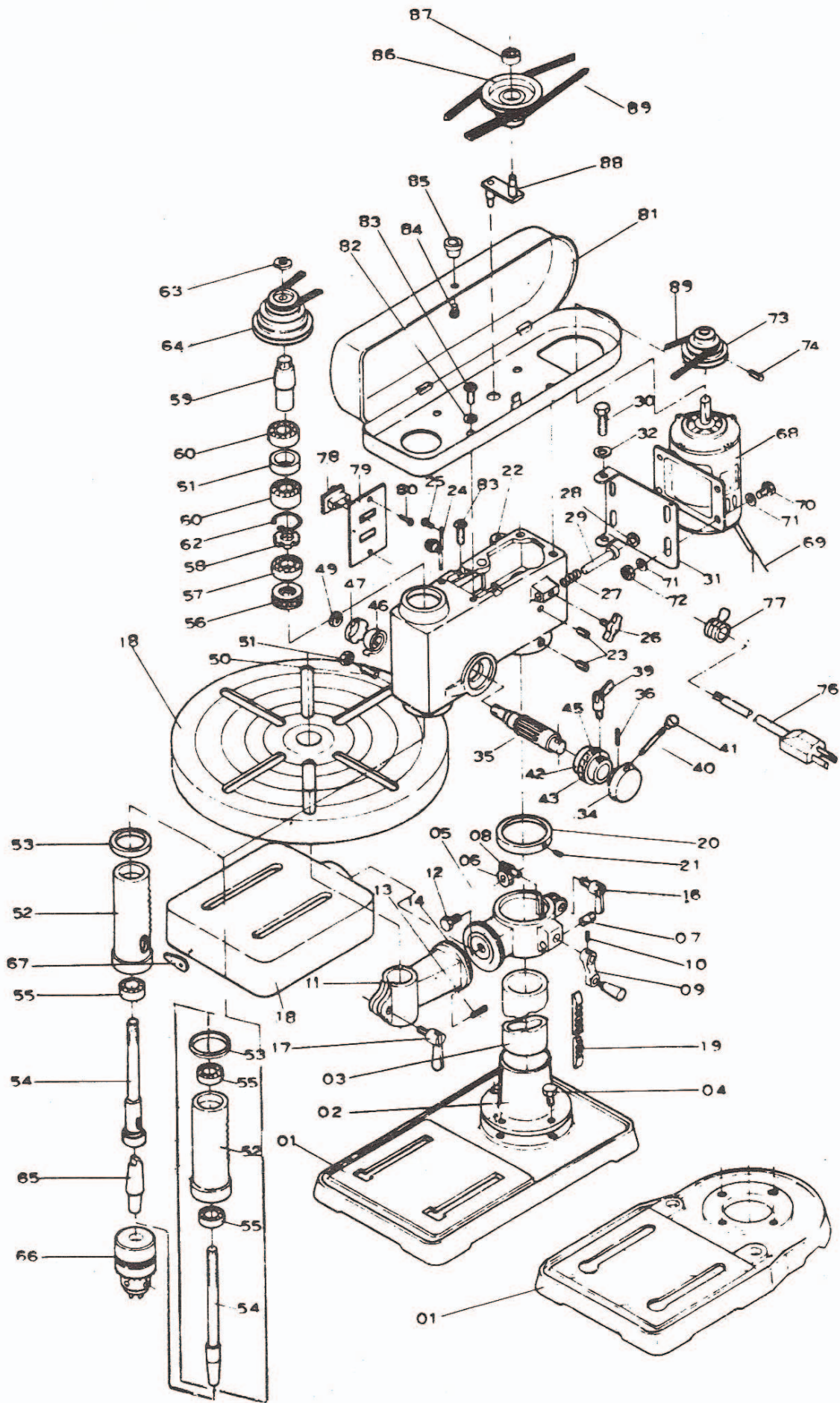


K1720HD / K1720HFD PARTS BREAKDOWN



K11418 / K1418F / K2532 PARTS BREAKDOWN



Parts No.	Description	Parts No.	Description
1	Base	44	Zero Mark
2	Flange	45	
3	Column	46	Spring
4	Screw	47	Spring Cover
5	Table Brecket	48	
6	Gear	49	Nylon Nut
7	Gear Shaft	50	Screw
8	Worm and Worm Gear	51	Nut
9	Shafting Rod	52	Quill
10	Set Screw	53	Rubber Washer
11	Table Arm	54	Sprindle
12	Screw	55	Ball Bearing
13	Set Screw	56	
14	Zero Mark	57	Ball Bearing
15	Angle Scale	58	Retaining Ring
16	Clamp Bolt	59	Drive Taper Sleeve
17	Clamp Bolt	60	Ball Bearing
18	Work Table	61	Bearing Spacer
19	Rack	62	Retaining Ring
20	Rack Collar	63	Nut
21	Set Screw	64	Spindle Pulley
22	Head	65	# 2 Morse Taper Arber
23	Set Screw	66	Chuck
24	Lamp Mounte	67	Wedge
25	Screw	68	Motor
26	Thumb Screw	69	Cord
26-1	Shaft Lever	70	Screw
27	Spring	71	Washer
27-1	Adjusting Lever	72	Nut
28	Washer	73	Motor Pulley
29	Adjusting Bolt	74	Set Screw
29S	Adjusting Bolt	75	
30	Screw	76	Power Cord
31	Mounting Plate	77	
32	Washer	78	Switch
33	Nut	79	Switch Plate
34	Handle Body	80	Screw
35	Feed Pinion	81	Pulley Cover
36	Stop Pin	82	Washer
37		83	Screw
38		84	Screw
39	Thumb Screw	85	Knob
40	Handle	86	Middle Pulley
41	Knob	87	Bail Bearing
42	Scale Sleeve	88	Pivot Bracket
43	Scale	89	V-Belt