

# HOLEMAKER PRO 110

Holemaker Portable Magnetic Drilling Machine

# OPERATOR'S MANUAL

## WARNING!

BEFORE USE, ENSURE EVERYONE USING THIS MACHINE READS AND UNDERSTANDS ALL SAFETY AND OPERATING INSTRUCTIONS IN THIS MANUAL .



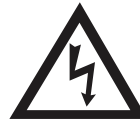
EYE PROTECTION  
REQUIRED



HEARING PROTECTION  
REQUIRED



NEVER PLACE  
FINGERS NEAR  
CUTTING AREA OR  
MACHINE ARBOR



LINE VOLTAGE  
PRESENT



BEWARE OF  
ROTATING  
MACHINE PARTS



Serial # \_\_\_\_\_

Date of Purchase \_\_\_\_\_

# Holemaker PRO 110 Portable Magnetic Drilling Machine

Congratulations on the purchase of your Holemaker Pro 110 portable magnetic drilling machine. Holemaker drilling machines are designed to deliver fast, efficient hole drilling performance in portable applications.

## TABLE OF CONTENTS

Important Safety Instructions .....	3-4
Power Supply Requirement .....	5
Technical Data .....	6
Special Instructions .....	7
Contents of Package .....	7
Machine Operation .....	8-10
Maintenance and Service .....	11
Basic Troubleshooting .....	12
Machine Parts Breakdown .....	13 - 22
Electrical Diagram .....	23

## LIMITED WARRANTY

Industrial Tool & Machinery Sales (hereinafter referred to as ITMS) will, within twelve (12) months from the original date of purchase, repair or replace any goods found to be defective in materials or workmanship. This warranty is void if the item has been damaged by accident, neglect, improper service or other causes not arising out of defects in materials or workmanship. This warranty does not apply to machines and/or components which have been altered, changed, or modified in any way, or subjected to overloading or use beyond recommended capacities and specifications. Worn componentry due to normal wear and tear is not a warranty claim. Goods returned defective shall be returned prepaid freight to ITMS or agreed repair agent, which shall be the buyer's sole and exclusive remedy for defective goods. ITMS accepts no additional liability pursuant to this guarantee for the costs of travelling or transportation of the product or parts to and from ITMS or the service agent or dealer, such costs are not included in this warranty.

THE MANUFACTURER RESERVES THE RIGHT TO MAKE  
IMPROVEMENTS AND MODIFICATIONS TO DESIGN WITHOUT PRIOR NOTICE.

Imported And Distributed By

### **INDUSTRIAL TOOL & MACHINERY SALES**

18 BUSINESS ST, YATALA, QLD AUSTRALIA 4207

PHONE 07 3287 1114 FAX 07 3287 1115

sales@industrialtool.com.au www.industrialtool.com.au

# IMPORTANT SAFETY INSTRUCTIONS

## WARNING!

WHEN USING ELECTRICAL TOOLS, BASIC SAFETY PRECAUTIONS SHOULD ALWAYS BE FOLLOWED TO REDUCE RISK OF FIRE, ELECTRIC SHOCK AND PERSONAL INJURY .

READ AND SAVE ALL INSTRUCTIONS FOR FUTURE REFERENCE.

1. Keep Work Area Clean
  - Cluttered areas and benches increase risk of injuries.
2. Consider Work Area Environment
  - Do not expose power tools to rain.
  - Do not use power tools in damp or wet locations.
  - Keep work area well lit.
  - Do not use tool in presence of flammable liquids or gases.
3. Guard Against Electric Shock
  - Prevent body contact with grounded surfaces. For example: pipes, radiators, ranges and refrigerator enclosures.
4. Keep Children Away
  - Do not let visitors contact tool or extension cord.
  - All visitors should be kept away from work area.
5. Store Idle Tools
  - When not in use, tools should be stored in a dry, high and locked-up place, out of reach of children.
6. Do Not Force Tool
  - It will do the job better and safer at the rate for which it was intended.
7. Use Right Tool
  - Do not force a small tool or attachment to do the job of a heavy-duty tool.
  - Do not use tool for unintended purpose. For example: Do not use a circular saw for cutting tree limbs or logs.
8. Dress Properly
  - Do not wear loose clothing or jewellery. They can be caught in moving parts.
  - Rubber gloves and non-skid footwear are recommended when working outdoors.
  - Wear protective hair covering to contain long hair.
  - Always wear safety glasses
  - Use face or dust mask if necessary
  - Use hearing protection
9. Do Not Abuse Electrical Cord
  - Never carry tool by cord or yank it to disconnect from receptacle.
  - Keep cord away from heat, oil and sharp edges.
10. Secure Work
  - Use clamps or a vise to hold work. It's safer than using your hand and it frees both hands to operate tool.
11. Do Not Overreach
  - Keep proper footing and balance at all times.

## IMPORTANT SAFETY INSTRUCTIONS

12. Maintain Tools With Care
  - Keep tools sharp and clean for better and safer performance.
  - Follow instructions for lubricating and changing accessories.
  - Inspect tool cords periodically and if damaged, have repaired by authorized service facility.
  - Inspect extension cords periodically and replace if damaged.
  - Keep handles dry, clean, and free from oil and grease.
13. Disconnect Tools
  - Unplug when not in use, before servicing, and when changing accessories, such as cutters.
14. Remove Adjusting Keys And Wrenches
  - Form habit of checking to see that keys and adjusting wrenches are removed from tool before turning it on.
15. Avoid Unintentional Starting
  - Do not carry a plugged-in tool. Always disconnect from power source before moving.
  - Be sure switches are off before connecting to a power source.
16. Outdoor Use Of Extension Cords
  - When tool is used outdoors, use only extension cords intended for use outdoors and so marked.
17. Stay Alert
  - Watch what you are doing. Use common sense. Do not operate tool when you are tired.
  - Do not use when taking medications that may cause drowsiness.
18. Check Damaged Parts
  - Before further use of the tool, any damaged parts should be repaired and performance verified prior to operation.
  - Check alignment of moving parts, binding of parts, breakage of parts, mounting, and any other conditions that may affect its operation. Any part that is damaged should be properly repaired or replaced by an authorized service center.
  - Do not use this tool if switches do not turn it on and off. Have defective switches replaced by authorized service center.
19. Use Cutter Guard
  - Always use cutter guard supplied with machine to reduce the risk of injury. (refer fig. 1)

Fig. 1



## POWER SUPPLY REQUIREMENTS

Prior to use check condition of the power cord, which has to be free of any cuts, or similar damages.

**Attention!:** This unit has a class one of insulation and absolutely requires the power source to be equipped with a protection circuit.

Power source should be protected with the difference-current circuit cut-out and protected with a 10A fuse - for 230V. At building sites, power should be supplied from a separation transformer such as Type AVM, with minimum power of 2000 VA and with second class protection.

## GROUNDING INSTRUCTIONS

### ⚠ WARNING!

Improperly connecting the grounding wire can result in the risk of electrical shock. Check with a qualified electrician if you are in doubt as to whether the outlet is properly grounded. Do not modify the plug provided with tool. Never remove the grounding prong from the plug. If the cord or plug is damaged, have it repaired before using. If the plug will not fit the outlet, have a proper outlet installed by a qualified electrician. The HOLEMAKER must be plugged into an appropriate outlet, properly installed and grounded in accordance with all codes and ordinances. The plug and outlet should look similar to those in Figure A. If in doubt of proper grounding, call a qualified electrician.

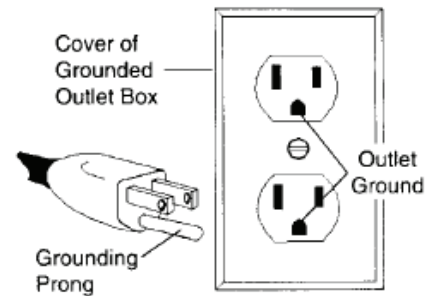


Fig. A

### ⚠ WARNING!

DO NOT USE HOLEMAKER DRILLING MACHINES ON SURFACES OR MATERIALS BEING WELDED. DOING SO CAN RESULT IN DAMAGE TO THE DRILLING MACHINE.

## EXTENSION CORDS

Use only 3-wire extension cords that have 3-prong grounding-type plugs and 3-pole receptacles that accept the tool's plug. Replace or repair damaged cords. Make sure your extension cord is in good condition. When using an extension cord, be sure to use one heavy enough to carry the current your product will draw. An undersized cord will cause a drop in line voltage resulting in loss of power and overheating. See table for the correct size to use depending on cord length and nameplate amperage rating. If in doubt, use the next heavier gauge. The smaller the gauge number, the heavier the cord.

MINIMUM GAUGE FOR EXTENSION CORDS				
VOLTS	TOTAL LENGTH OF CORD IN METRES			
240V	0 - 15	15 - 30	30 - 60	60 - 90
AMPERAGE				
0-6	18	16	16	14
6-10	18	16	14	12
10-12	16	16	14	12
12-16	14	12	NOT RECOMMENDED	
RECOMMENDED WIRE GAUGE				

**DRIP LOOP:** To help prevent cutting fluids from traveling along power cord and contacting power source, tie a drip loop in power cord as shown in Figure C.

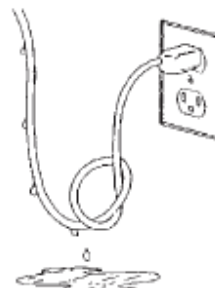
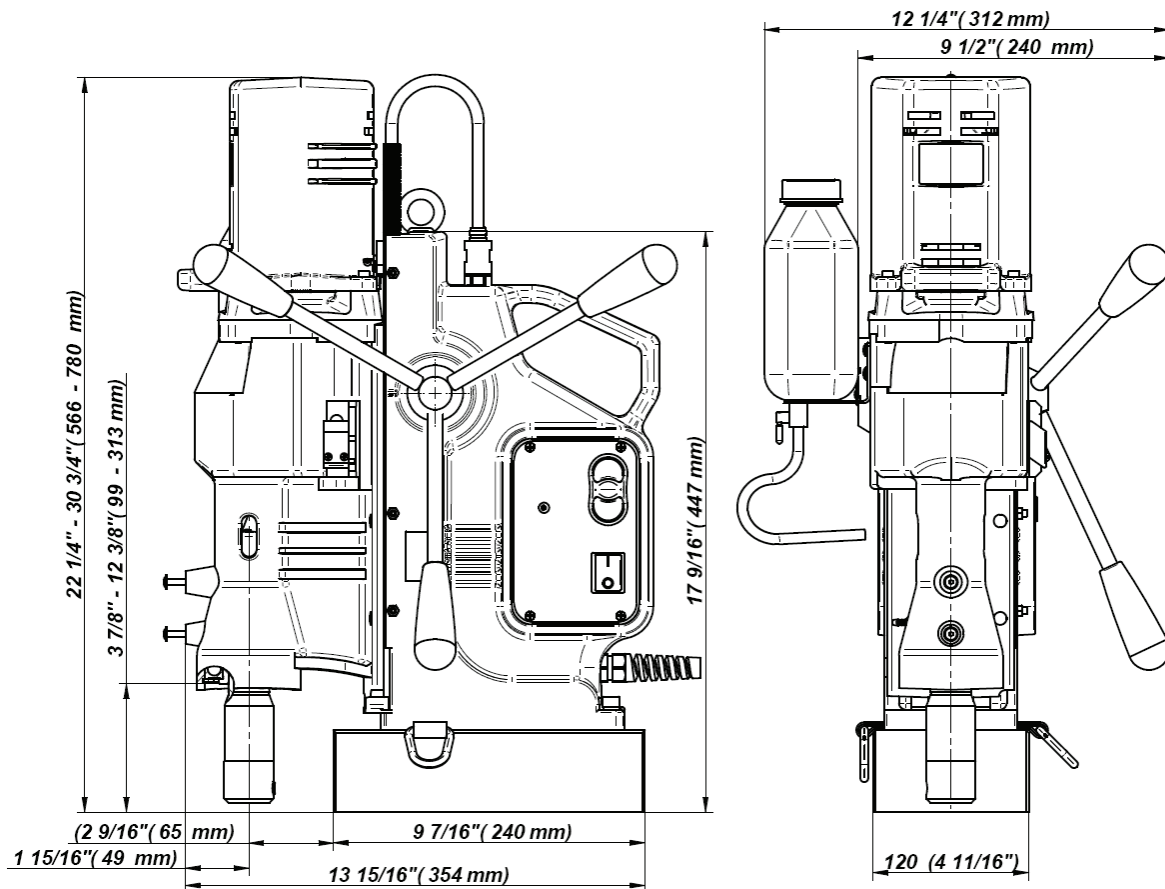


Fig. C

## TECHNICAL DATA



Supply voltage: ..... 220-240V/ 50-60 Hz.  
 Motor power ..... 1650 W  
 Total power ..... 1800 W  
 Machine speeds (under load): ..... 85/135/160/250 rpm  
 Insulation class ..... First  
 Arbor bore ..... MT 4  
 Tool holder ..... (3/4" Weldon) 19,05 mm  
 Capacities: max. slugger cutter diameter ..... 110 mm  
                   max. drilling depth with standard arbor ..... 75mm  
                   max. drilling depth with optional arbor ..... 110mm  
 Magnet Dead Lift (on 25 mm plate) ..... 22000 N

### Dimensions:

electromagnetic base ..... 120x240x63 mm  
 Length of the power cord ..... 3 m  
 Total weight ..... 31.0 kg  
 Noise level ..... 85 dB

## SPECIAL INSTRUCTIONS

1. Read and follow operator's manual thoroughly. If you cannot locate your operator's manual, contact ITMS for an additional copy.
2. DO NOT touch rotating cutter or parts.
3. Always stop machine completely and unplug from power source before changing cutters, clearing swarf, refilling lubrication or performing adjustments.
4. Never wear loose clothing or gloves when working near cutting area or machine arbor.
5. Always wear eye protection. Any tool can shatter.
6. Always use safety chain or strap provided with machine.
7. Always use proper tooling. Keep cutters securely fastened.
8. DO NOT use dull or broken cutters.
9. Beware of ejected slugs at end of cut. They become HOT during the cut.
10. Keep all safety features functioning and working properly.
11. Keep bottom of magnet burr free and clear of chips and debris.
12. To reduce the risk of electrical shock, DO NOT remove or alter electrical panels or use machine in damp areas.
13. Use only authorized service centers for repairs.


Remove all contents from packaging and inspect to ensure no damage was incurred during shipping. Your Holemaker package should include the following:


DESCRIPTION	QTY
HOLEMAKER PRO110 MACHINE	1
METAL CARRY CASE	1
SAFETY CHAIN WITH CLIP	1
SAFETY GUARD	1
8MM FLAT WRENCH	1
HEX WRENCH 2.5	1
HEX WRENCH 4	1
HEX WRENCH 5	1
HEX WRENCH 6	1
SPOKE HANDLE WITH KNOBS	3
#4MT ARBOR ASSEMBLY	1
COOLANT BOTTLE ASSEMBLY	1
DRILL DRIFT	1
OPERATORS MANUAL	1


Assemble three spoke handles to feed hub. NOTE: Feed hub assembly is mounted on right side of machine frame – if necessary, it can be reversed for lefthand operation by simply removing the fastener and hub from frame. Remove hub pinion shaft from right side of frame and insert it into left side of frame. Replace hub and fastener into frame and tighten securely. Install the arbor into the drill motor by inserting the arbor body into the spindle. By turning the arbor while inserting, the arbor tang will properly line up in the spindle. Turn the arbor until it bottoms out in the spindle and then tap lightly with a plastic hammer to secure.

## WHAT YOU SHOULD KNOW BEFORE YOU DRILL

1. Type of material to be drilled, Brinnell or Rockwell hardness, material thickness and position should all be determined to ensure proper selection of cutting tools.
2. Remove any excessive mill scale or rust from surface to be drilled.
3. When drilling thin materials, it is recommended that you place a steel plate under the work piece and Holemaker magnet area to increase magnetic holding force.
4. Material that has been flame cut may become heat treated and therefore difficult to drill. Avoid drilling near such areas whenever possible.
5. Special cutter lubricant is available for using the Holemaker and annular cutters in the horizontal position. Consult you distributor for more information.

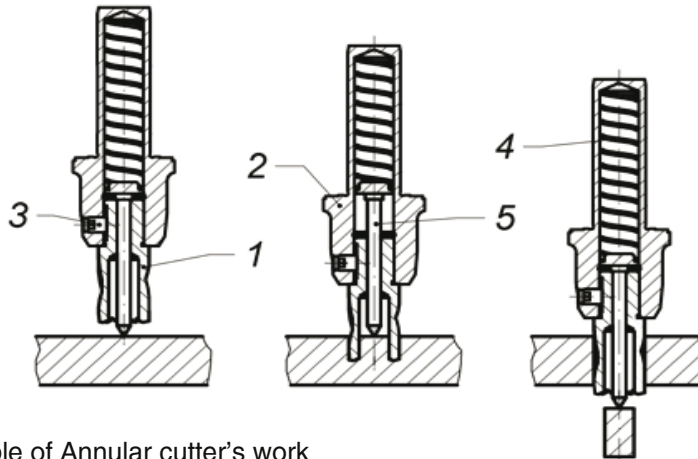
 Caution: Do not drill on material where welding is also simultaneously being performed. Drilling machine will be damaged.

 Caution: Powering drilling machine from generator without proper surge protection device between generator and drilling machine may cause damage to the Printed Circuit Board in machine.

 The Holemaker Pro 110 is not designed for use on steel thinner than 3/8" or 10mm, as the magnet's adhesive power would be significantly reduced which can cause machines failure or individuals injury. The machines built in "Smart Magnet Technology" will detect insufficient magnetic adhesion, and will cause the machines motor on/off button to not engage. Although it is not recommended, this feature can be bypassed by following the attached "Smart Magnet Technology Bypass" instruction leaflet.

## START UP AND OPERATION

**CAUTION: READ THE WHOLE INSTRUCTIONS MANUAL  
BEFORE ATTEMPTING TO START UP**



Principle of Annular cutter's work

This drilling machine's spindle has a 19mm Weldon Shank type and is specifically designed for use with Annular cutters.

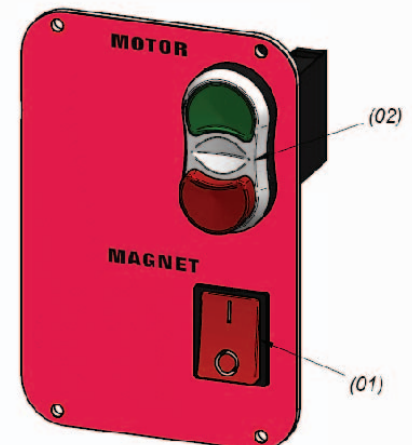
Annular cutter (1) is located inside arbor body (2) and is fastened with grub screws (3). When fastening the cutter in the arbour, ensure that the grub screws are firmly tightened to avoid them coming loose during operation. It is important to position the cutter in relation to the arbour in such a way that fixing flats on the cutter shank are positioned opposite to the grub screws (3). Both grub screws(3) should be used to fasten the cutter. The Pilot Pin (5) is located inside the cutter to easily position the annular cutter over centre of a planned hole. During drilling as the cutter goes into the material, the pilot pin moves back into the arbour body and pressurizes the discharge spring (4). That spring ejects the slug which is a by-product of drilling the hole with a centre free cutter.

The machine is supplied in a metal box. Some components of the drilling machine are coated with grease film for protection during transit and storage. Prior to use of the machine this should be wiped clean.

### **CONTROL PANEL**

Control elements include:

- Magnet Switch (1),
- Start-Stop Switch (2),



- In order to start the machine press the magnet switch (1) on "I". Now you can start the motor by pressing Start-Stop Switch (2) green button "I"
- Stopping the motor is executed with red button „O” ( the motor is switched OFF but the electromagnetic base is still ON).
- To move machine into next drilling spot, stop the motor as described above and push the magnet switch (1) to the position "O".

NOTE: As a power saving function, Switching the Magnet Switch(1) to "I" will supply the electromagnet with 50% power. Switching the Start-Stop Switch(2) to "I" will increase the electromagnet to 100% power.

## ***Before you cut***

Before positioning the machine on work piece always make sure that:

- work piece is made of ferrous material
- thickness of work piece is adequate for secure magnetic adhesion (mild steel - 10mm is recommended)
- Ensure no part of magnet overhangs the steel workpiece
- surface of steel under the magnet is flat
- wipe, brush or sand down clean surface where you intended to place the drilling machine, so that you remove rust, paint, dirt etc which would reduce adhesive power of the electromagnetic base.

Install annular cutter in the machine before plugging it into mains.

Place the machine so that the tool is over the centre of the hole you intend to make and turn the magnetic base ON.

Always make sure prior to use that the machine is secured from falling down with a chain/strap.



An example of a safety chain/strap use.

## Cutting

- Choose a suitable lubricating fluid and fill the coolant tank.

The cooling system is an integral part of the machine and should always be used.

Warning: The cooling system works gravitationally, therefore it can be used only when in vertical position of the drilling machine. In other positions, a cutting paste should be used

- Check workings of cooling system. Open the coolant tank's tap and apply pressure on the pilot by turning spokes counter clockwise. As the pilot starts to sink into the cutter, cooling liquid should start to run down the groove in pilot pin. If there is no liquid flowing down, check if the tap is fully opened. It may take a few seconds for cooling liquid to fill the whole system.

- Select a suitable rpm speed for the machine to run at, using the table below as a guide. Once a suitable speed has been decided upon, select that speed using the gear switch on the side of the machine(1). (refer fig. 1)

The cutter diameter		Rotary speed [rpm]
[inch]	[mm]	
under 2.95	above 75mm	85
1.93 – 2.95	50 - 75mm	135
1.14 – 1.93	30 - 49mm	160
0.47 – 1.14	12 - 29mm	250

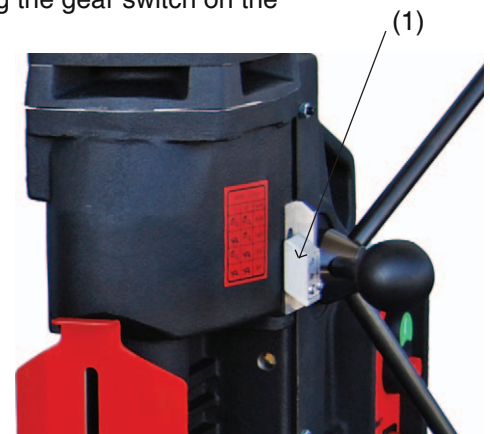


Fig. 1

- Turn the motor on.

Bring the cutter gently into contact with the work piece and slowly start to apply pressure on the cutter.

Making a hole with an annular cutter should ideally be done in one pass.

Do not peck drill.

**WARNING** : When the annular cutter goes through the material the slug can be pushed out often with considerable strength.

Pay attention to avoid injury.

- After a hole is made the cutter should be retracted and both the motor and the electromagnet should be switched OFF.
- When work with the machine is finished the power cord should be disconnected from the power source, the machine should be cleaned up from swarf, coolant etc and the cutter should be removed and cleaned.

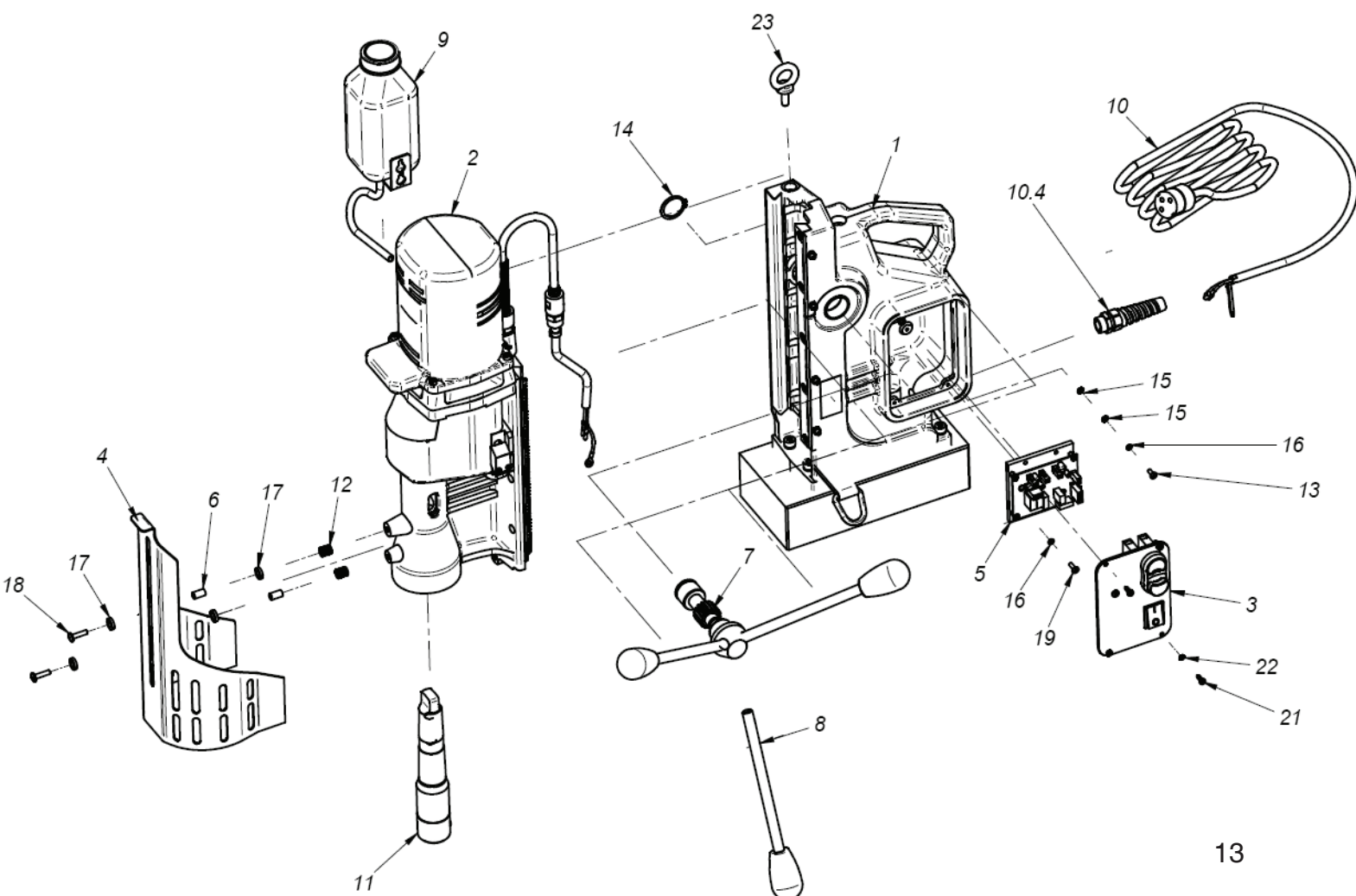
## MAINTENANCE AND SERVICE

- Every 250 hours of work check condition of carbon brushes. If their length is less than 5 mm they should be replaced with new genuine brushes. After replacement, new brushes should be run-in without load for about 20 min. Repair and service work is to be performed by authorized service agents only.
- Adjustment of the machine slide guides should be done every 50 hours or as necessary by tightening the 4 gib adjustment screws located down the side of the machine. The slide guide tension is correct if the drive can be moved smoothly by using the feed handles. It is not acceptable for the motor to automatically slide down under its own weight.
- Keep the magnet clean and free of chips, oil or other contaminants.
- Inspect arbor, sleeve and support bracket for visible wear.
- Replace any worn parts and tighten any fasteners that may have come loose during daily usage.

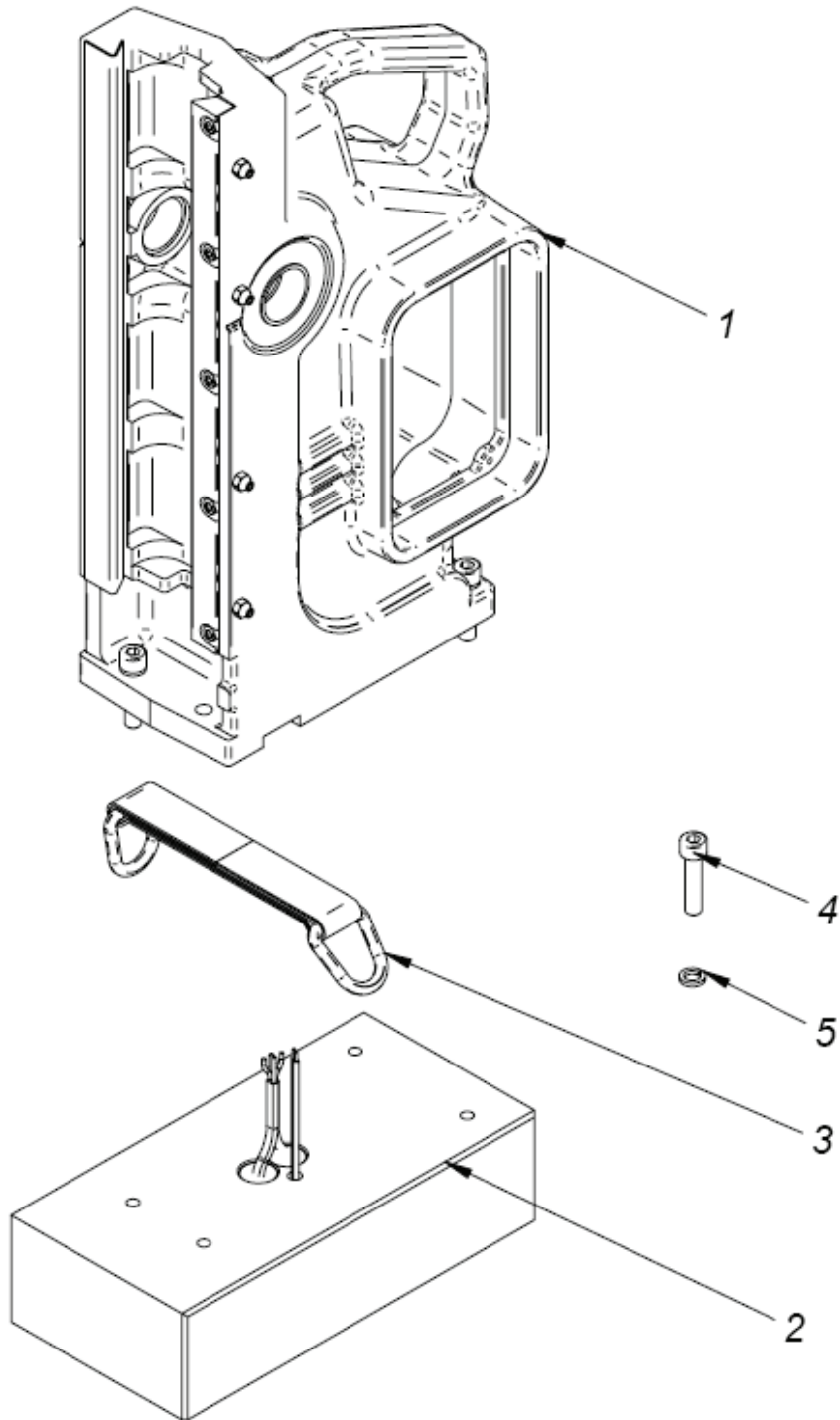
## BASIC TROUBLESHOOTING

1. Magnetic base not holding securely
  - Material is too thin.
  - Surface of material being drilled must be free of chips, debris, rust and mill scale.
  - Does size of cutter exceed machine's rated capacity?
  - Check magnet face for unevenness, nicks and burrs.
  
2. Drill motor running, arbor and spindle not turning
  - Possible sheared drive train component.
  
3. Motor slows when drilling
  - Is an extension cord being used? If so, see page 5 for recommended wire gages and cord lengths.
  - Excessive downfeed pressure during drilling cycle will cause motor to slow and overheat.
  - Does cutting tool need to be resharpened?
  
4. Coolant system not working
  - Coolant system is gravity dependent, machine must be in a upright position to operate properly.
  - Dirt or debris in coolant tank.
  - Consistency of coolant mixture too thick.
  - Is correct pilot pin being used?
  - Vent hole in coolant tank lid blocked.
  
5. Slugs not ejecting from cutter
  - Lack of coolant causing slugs to expand in cutter bore.
  - Is correct pilot pin being used?
  - Possible broken internal arbor parts.
  
6. Breaking cutters
  - How is coolant being applied? Coolant must be supplied to interior of cutter.
  - Excessive feed pressure being applied when cutter initially contacts work surface.
  - Confirm material hardness.
  - Drilling stacked materials with incorrect cutter.
  - Dull cutters; dull or chipped cutting edges require excessive feed pressure, resulting in breakage.
  - Movement of machine on material - See "1. Magnetic base not holding securely"
  - Inconsistent hardness in material can cause cutter breakage
  
7. Oversized or rough holes
  - Insufficient coolant.
  - Excessive feed pressure.
  - Dull cutter.

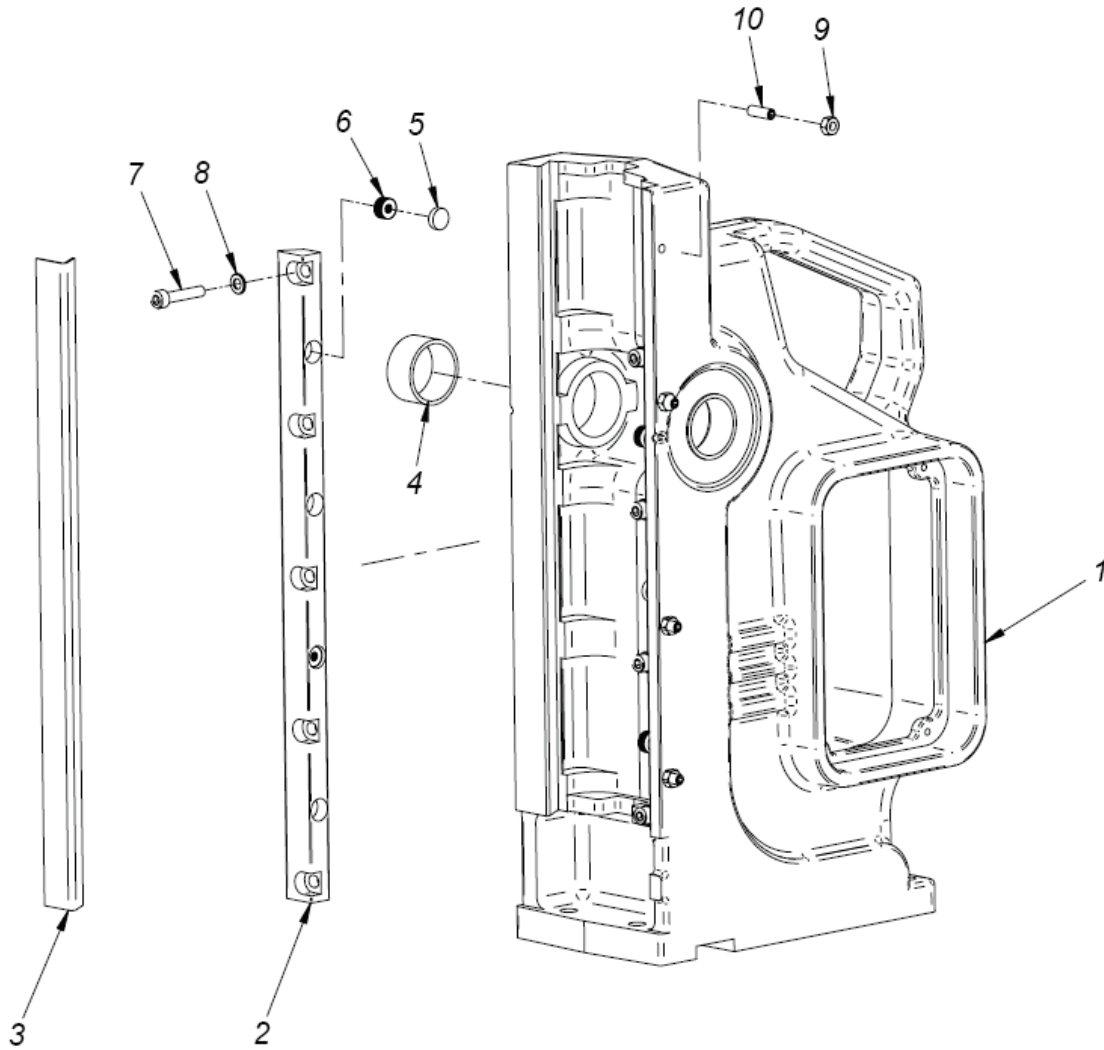
HMPRO110		DRILLING MACHINE PRO 230V	
ITEM	PART NUMBER	DESCRIPTION	QTY
1	SPPRO11001	FRAME ASSEMBLY	1
2	SPPRO11002	MOTOR COMPLETE 230V	1
3	SPPRO11003	PANEL PLATE ASSY	1
4	SPPRO11004	GUARD ASSY	1
5	SPPRO11005	ELECTRONIC CONTROL SYSTEM /230V	1
6	SPPRO11006	LOWER SLEEVE,	1
7	SPPRO11007	PINION SHAFT ASSY	1
8	SPPRO11008	SPOKE HANDLE INCLUDING KNOB (ASSY)	3
9	SPPRO11009	COOLANT SYSTEM	1
10	SPPRO11010	POWER CORD 230V 3x1,5	1
10.4	SPPRO1101004	STRAIN RELIEF PG11	1
11	SPPRO11011	ARBOR ASSY AMT4-U19/4-3	1
12	SPPRO11012	PUSH SPRING,	2
13	SPPRO11013	SCREW M4X10 PHCRMS	1
14	SPPRO11014	EXTERNALE RETAINING RING 28z	1
15	SPPRO11015	SPRING WASHER-4.3	6
16	SPPRO11016	SPRING WASHER-4.1	5
17	SPPRO11017	NYLON WASHER SR1940,	4
18	SPPRO11018	SOCKET BUTTON HEAD CAP SCREW WITH FLANGE M5x20,	2
19	SPPRO11019	CROSS RECESSED SCREW M4X12	4
21	SPPRO11021	CROSS RECESSED PAN HEAD TAPPING SCREW 3,5x13	4
22	SPPRO11022	WASHER,LOCK,INTERNAL STAR 3,7	4
23	SPPRO11023	EYE BOLT M8 B	1



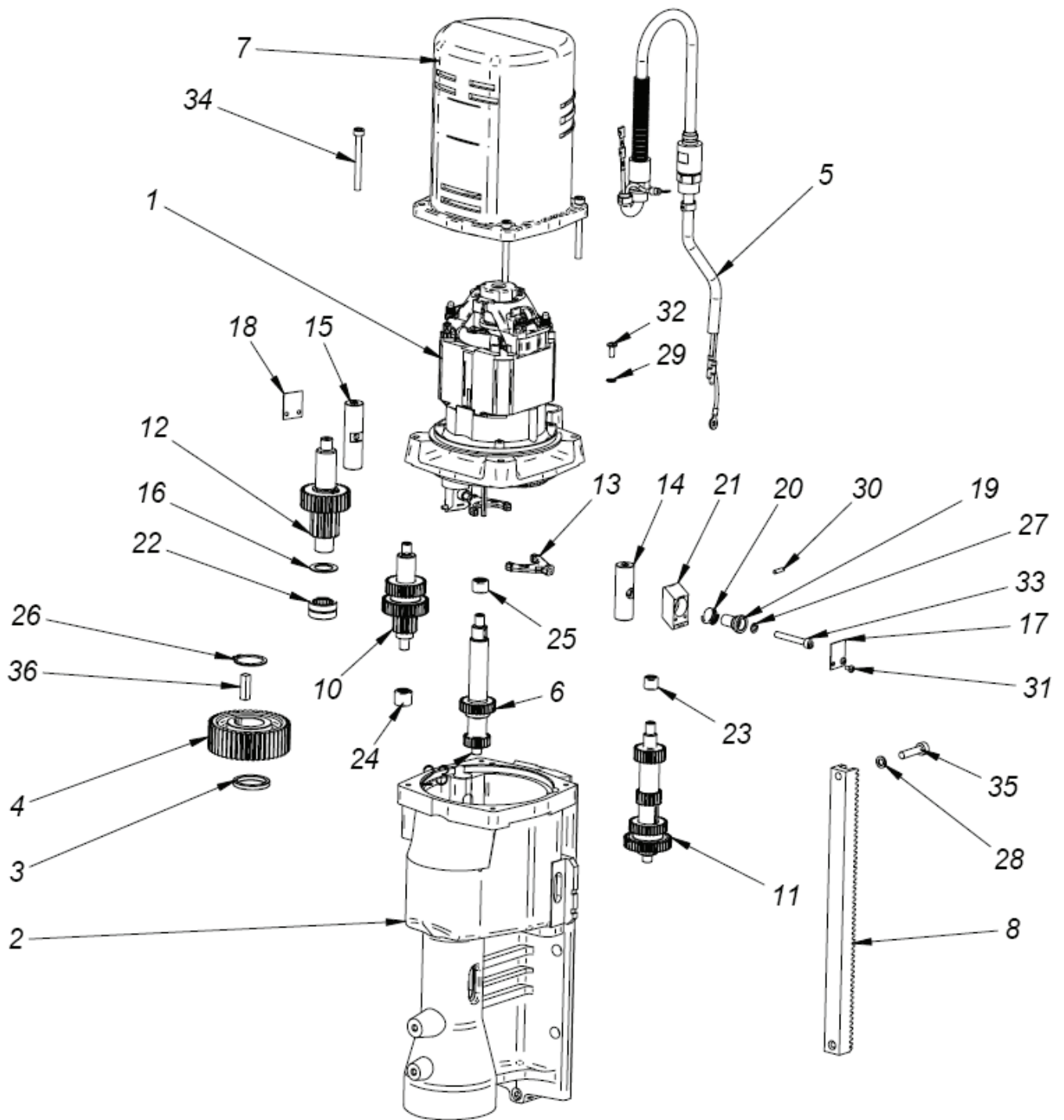
SPPRO11001		FRAME ASSEMBLY	
ITEM	PART NUMBER	DESCRIPTION	QTY
1.1	SPPRO1100101	MAIN BODY ASSY	1
1.2	SPPRO1100102	ELECTROMAGNETIC BASE	1
1.3	SPPRO1100103	D-RING STRAP	1
1.4	SPPRO1100104	HEX. SOCKET BOLT M8x35,	4
1.5	SPPRO1100105	SPRING WASHER 8,2	4



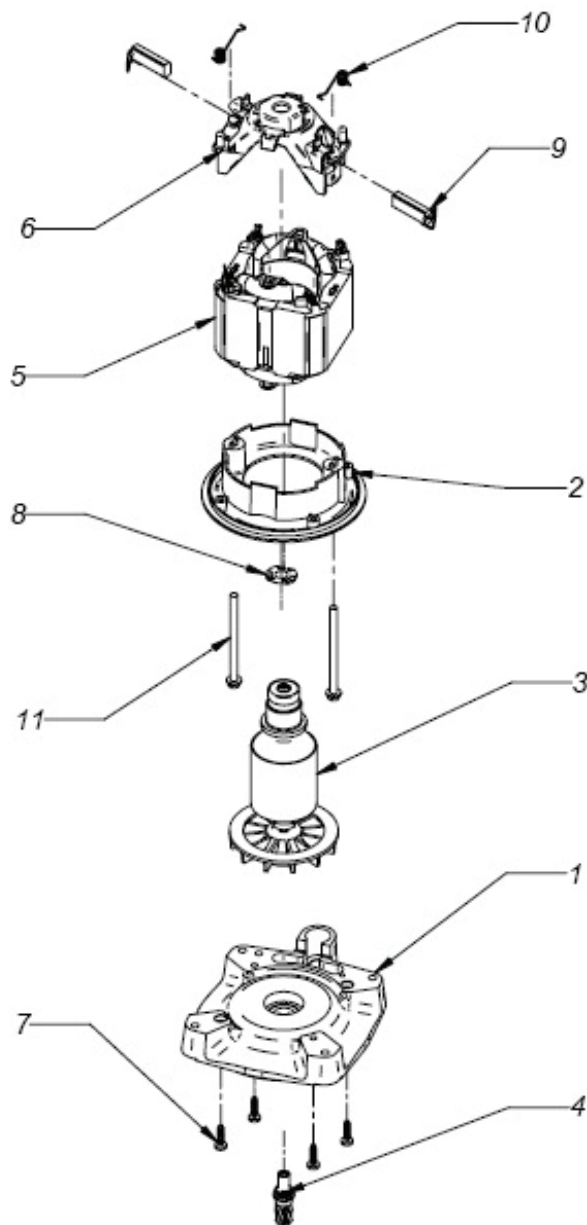
SPPRO1100101		MAIN BODY ASSY	
ITEM	PART NUMBER	DESCRIPTION	QTY
1.1.1	SPPRO110010101	MAIN BODY	1
1.1.2	SPPRO110010102	PRESSURE PLATE	1
1.1.3	SPPRO110010103	SLIDE INSERT	1
1.1.4	SPPRO110010104	SELF LUBRICATING SLEEVE 28,05H7x32x16,	2
1.1.5	SPPRO110010105	SPRING WASHER	4
1.1.6	SPPRO110010106	DISC SPRING 4,2x10x0,5	32
1.1.7	SPPRO110010107	HEX SOCKET BOLT-M5X20	5
1.1.8	SPPRO110010108	ROUND WASHER 5,3	5
1.1.9	SPPRO110010109	NUT M5	4
1.1.10	SPPRO110010110	SOCKET SET SCREW M5x16,	4



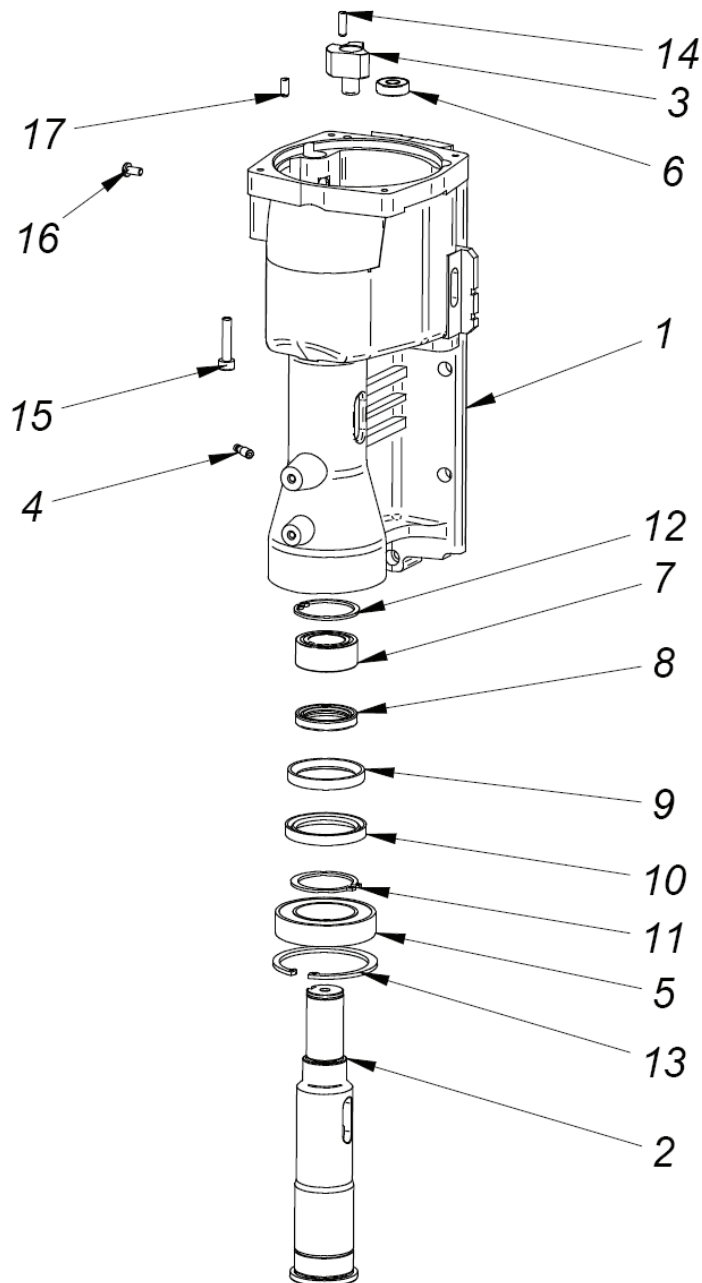
SPPRO11002		MOTOR COMPLETE 230V	
ITEM	PART NUMBER	DESCRIPTION	QTY
2.1	SPPRO1100201	MOTOR /230V	1
2.2	SPPRO1100202	GEARCASE ASSY	1
2.3	SPPRO1100203	DISTANCE SLEEVE 25,1x31,8x4	1
2.4	SPPRO1100204	GEAR z46	1
2.5	SPPRO1100205	MOTOR WIRE ASSY	1
2.6	SPPRO1100206	PINION SHAFT z=20 ASSY	1
2.7	SPPRO1100207	MOTOR HOUSING	1
2.8	SPPRO1100208	GEAR RACK	1
2.10	SPPRO1100210	PINION SHAFT ASSY 14T,	1
2.11	SPPRO1100211	PINION SHAFT ASSY 19/25,	1
2.12	SPPRO1100212	PINION SHAFT ASSY z=14,	1
2.13	SPPRO1100213	SHIFT FORK	2
2.14	SPPRO1100214	SHIFT PIN SHORT	1
2.15	SPPRO1100215	SHIFT PIN LONG	1
2.16	SPPRO1100216	WASHER II	1
2.17	SPPRO1100217	LABEL I , SHIFT LEVER	1
2.18	SPPRO1100218	LABEL II , SHIFT LEVER	1
2.19	SPPRO1100219	SHIFT DRIVE PIN (USA-5)	2
2.20	SPPRO1100220	COMPRESSION SPRING (USA 5)	2
2.21	SPPRO1100221	SHIFT LEVER	2
2.22	SPPRO1100222	BEARING, NEEDLE RNA 4901	1
2.23	SPPRO1100223	BEARING, NEEDLE RHNA 081210	3
2.24	SPPRO1100224	NEEDLE BEARING RHNA 081512	1
2.25	SPPRO1100225	NEEDLE BEARING HK 101410 CX	1
2.26	SPPRO1100226	EXTERNALE RETAINING RING 25z	1
2.27	SPPRO1100227	SPRING WASHER 5.1	2
2.28	SPPRO1100228	SPRING WASHER 6,1	2
2.29	SPPRO1100229	SPRING WASHER-4.3	1
2.30	SPPRO1100230	SPRING PIN 3x12	2
2.31	SPPRO1100231	SCREW M3x5 PHCRMS	4
2.32	SPPRO1100232	SCREW M4X10 PHCRMS	1
2.33	SPPRO1100233	HEX SOCKET BOLT M5x35 ,	2
2.34	SPPRO1100234	HEX. SOCKET BOLT M5x50	4
2.35	SPPRO1100235	HEX SOCKET BOLT-M6X25	2
2.36	SPPRO1100236	KEY SQ 6x6x22	1
2.37	SPPRO1100237	GROUND CONDUCTOR	1



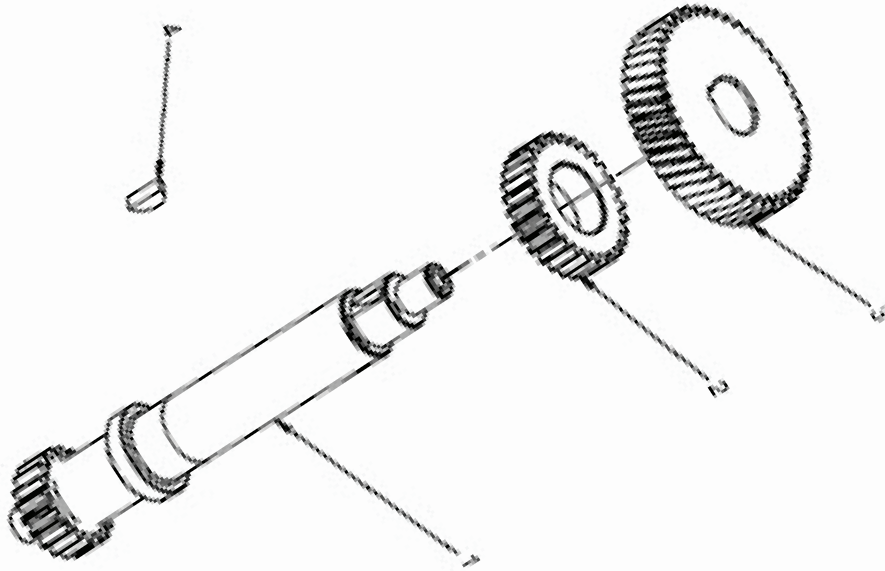
SPPRO1100201		MOTOR 230V	
ITEM	PART NUMBER	DESCRIPTION	QTY
2.1.1	SPPRO110020101	MOTOR COVER	1
2.1.2	SPPRO110020102	GUIDE FAN	1
2.1.3	SPPRO110020103	ARMATURE ASSY 230V	1
2.1.4	SPPRO110020104	ARMATURE TOOTH END z8	1
2.1.5	SPPRO110020105	FIELD 230V	1
2.1.6	SPPRO110020106	UPPER HOUSING	1
2.1.7	SPPRO110020107	CROSS RECESSED PAN HEAD TAPPING SCREW 4x16	4
2.1.8	SPPRO110020108	SPRING WASHER	1
2.1.9	SPPRO110020109	BRUSH 230V	2
2.1.10	SPPRO110020110	SPRING BRUSH	2
2.1.11	SPPRO110020111	HEXAGON BOLT M4x73	2



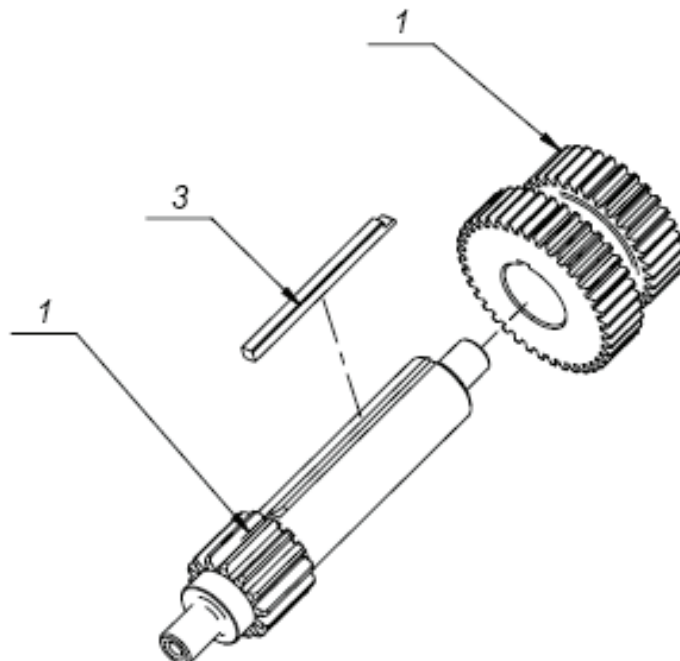
SPPRO1100202		GEARBOX	
ITEM	PART NUMBER	DESCRIPTION	QTY
2.2.1	SPPRO110020201	GEARCASE	1
2.2.2	SPPRO110020202	SPINDLE MT4	1
2.2.3	SPPRO110020203	METAL INSERT	1
2.2.4	SPPRO110020204	COOLANT COUPLING AMT2-H-19	1
2.2.5	SPPRO110020205	BEARING 6008 2Z 40x68x15	1
2.2.6	SPPRO110020206	BEARING 608 2Z	2
2.2.7	SPPRO110020207	BEARING, ROLL- 25x42x17	1
2.2.8	SPPRO110020208	SEAL 30x42x7	1
2.2.9	SPPRO110020209	SEAL 40x52x7	1
2.2.10	SPPRO110020210	SEAL 40x55x7	1
2.2.11	SPPRO110020211	INTERNAL RETAINING RING - 40z	1
2.2.12	SPPRO110020212	INTERNAL RETAINING RING - 42W	1
2.2.13	SPPRO110020213	INTERNAL RETAINING RING - 68W	1
2.2.14	SPPRO110020214	DOWEL, PIN 5 x 16 MM	1
2.2.15	SPPRO110020215	HEX. SOCKET BOLT M-6X30	1
2.2.16	SPPRO110020216	CROSS RECESSED RAISED COUNTERSUNK HEAD SCREW M5x10	2
2.2.17	SPPRO110020217	DOWEL, PIN 5 x 12 MM	1



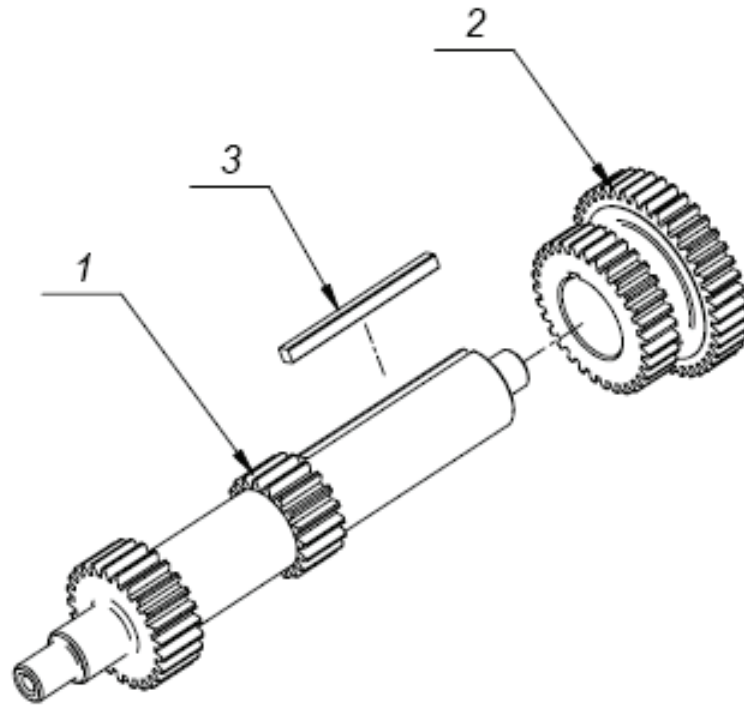
SPPRO1100206		PINION SHAFT ASSEMBLY Z=20	
ITEM	PART NUMBER	DESCRIPTION	QTY
2.6.1	SPPRO110020601	GEARSHAFT, 20T	1
2.6.2	SPPRO110020602	GEAR, 29T	1
2.6.3	SPPRO110020603	HELICAL INPUT GEAR z45	1
2.6.4	SPPRO110020604	KEY,WOODRUFF #403	1



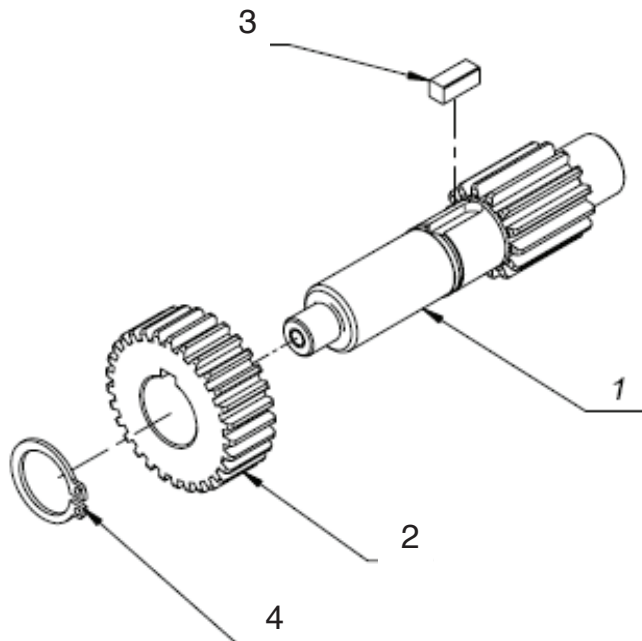
SPPRO1100210		PINION SHAFT ASSEMBLY 14T	
ITEM	PART NUMBER	DESCRIPTION	QTY
2.10.1	SPPRO110021001	SHAFT, PINION 14T	1
2.10.2	SPPRO110021002	GEAR, DUAL 33T / 39T	1
2.10.3	SPPRO110021003	KEY, SQ. 3X3X45	1



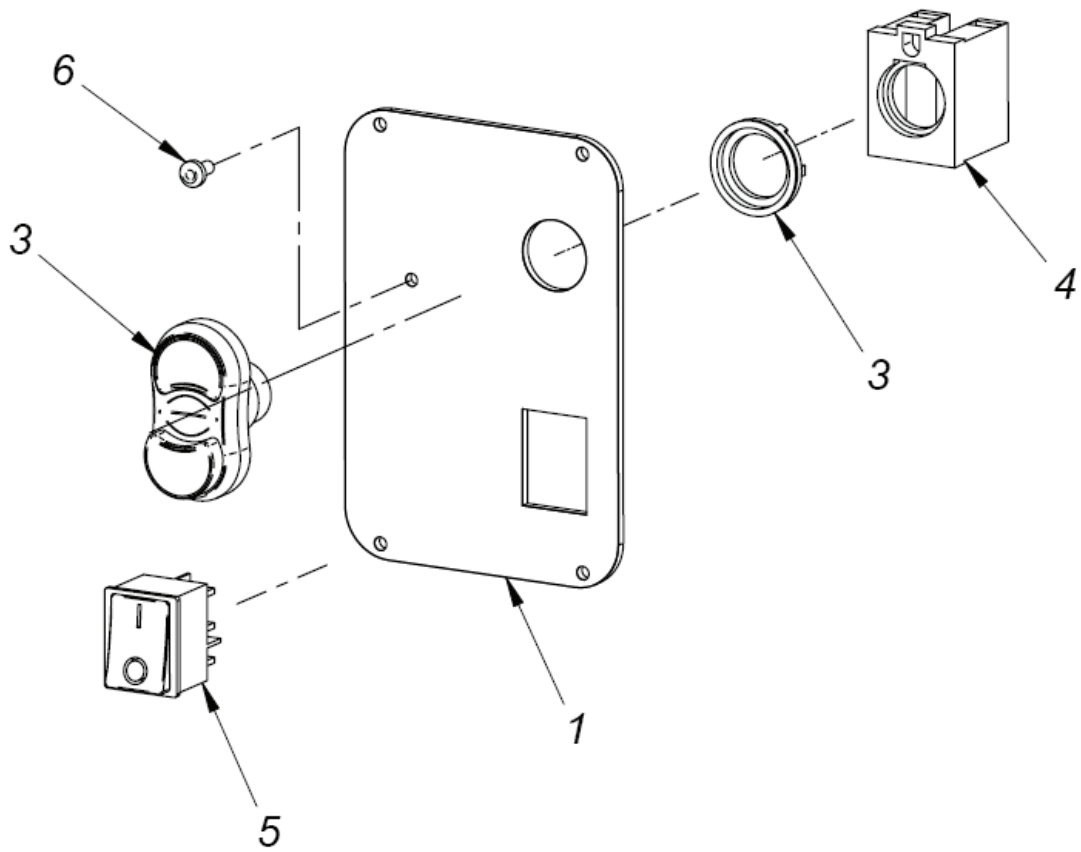
SPPRO1100211		PINION SHAFT ASSEMBLY 19/25	
ITEM	PART NUMBER	DESCRIPTION	QTY
2.11.1	SPPRO110021101	PINION SHAFT 19/25	1
2.11.2	SPPRO110021102	GEAR, DUAL 31T/42T	1
2.11.3	SPPRO110021103	SQUARE KEY 3X3X38	1



SPPRO1100212		PINION SHAFT ASSEMBLY Z=14	
ITEM	PART NUMBER	DESCRIPTION	QTY
2.12.1	SPPRO110021201	GEARSHAFT 14-1.5 mm	1
2.12.2	SPPRO110021202	GEAR, 33T	1
2.12.3	SPPRO110021203	SQUARE KEY 5x5x12	1
2.12.4	SPPRO110021204	EXTERNAL RETAINING RING- 18Z	1



SPPRO11003		PANEL PLATE ASSEMBLY	
ITEM	PART NUMBER	DESCRIPTION	QTY
3.1	SPPRO1100301	PANEL PLATE	1
3.3	SPPRO1100303	SWITCH START-STOP	1
3.4	SPPRO1100304	START-STOP WIRE	1
3.5	SPPRO1100305	SWITCH MAGNET	1
3.6	SPPRO1100306	LIGHT PIPE	1



# ELECTRICAL DIAGRAM

