

**JM5000  
120 Volt  
1993 / 1996  
All 220 Volt will be specified  
Modified on 3/18/05**

**Frame and overall breakdown:**

The first JM5000 was manufactured in 1993 and the last in 1996.

**Changes:**

0010104 changed to 0010185 on 4/17/94  
Removed 0010103 use 0151437  
Removed 0010107 use 0070544  
Removed 0010161 use 0151333  
Removed 0151028 obsolete replaced by 0151028 Conversion Panel  
Removed 0151029 use 0151028 (specify 220volt when ordering)  
Removed 0151030 use 0151028  
Removed 0151032 use 0151028 (specify 220volt when ordering)  
Removed 0151040 use 0151033 (220volt)  
Removed 0151061 use 0151057  
Removed 0151063 use 0012180  
Removed 0151106 use 0151297  
Removed 0151119 use 0151447  
Removed 0151139 use 0151333  
Removed 0151166 use 0151271  
Removed 0151168 use 0070034-N  
Removed 0151185 use 0070573  
Removed 0151201 use 0151065  
Removed 0151209 use 0151333  
Removed 0151237 use 0151331  
Removed 0151283 use 0093124

**220 Volt**

**Magnet 0151162  
Magnet Switch 0151044  
Power Cord 0014200  
Motor 0151299  
Motor Slide Assembly 0151125  
Panel assembly Conversion Kit 0151032  
Panel Overlay 0151303**

### **Motor Breakdown:**

**The design of the motor was never changed and this breakdown will work.**

**If you need a complete motor order 0151297 not 0151106 or 0151107.**

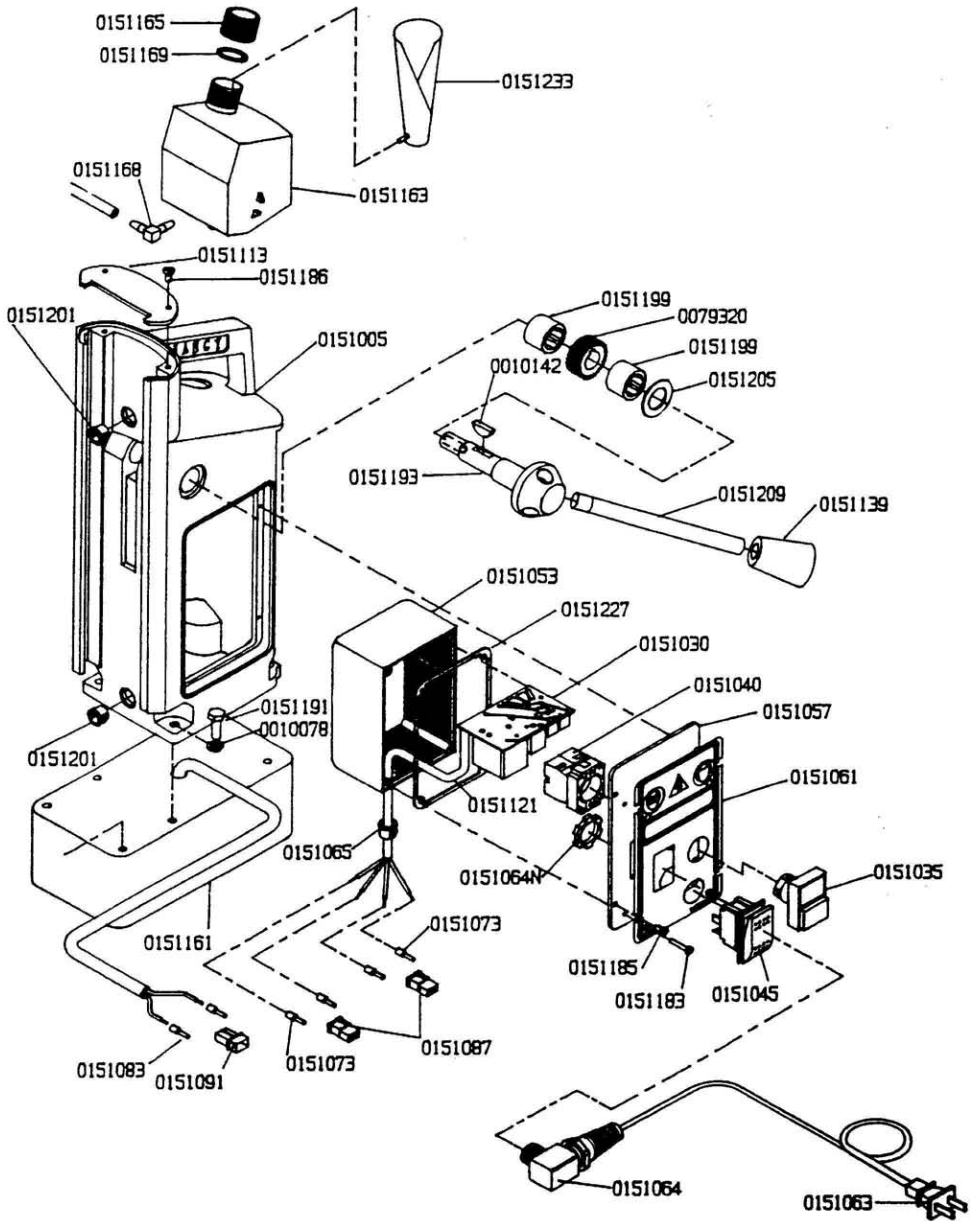
**For 220 Volt complete motor order 0151299 not 0151127**

### **Electrical breakdown: (repairs only)**

**If your JM5000 panel has never been updated it is obsolete and will say JM5000 on the back of your P.C. board. If you need to replace the P.C. board, order part number 0151028 (Conversion Panel).**

**If it has been updated it will have a white tag that has 04868 on it.**

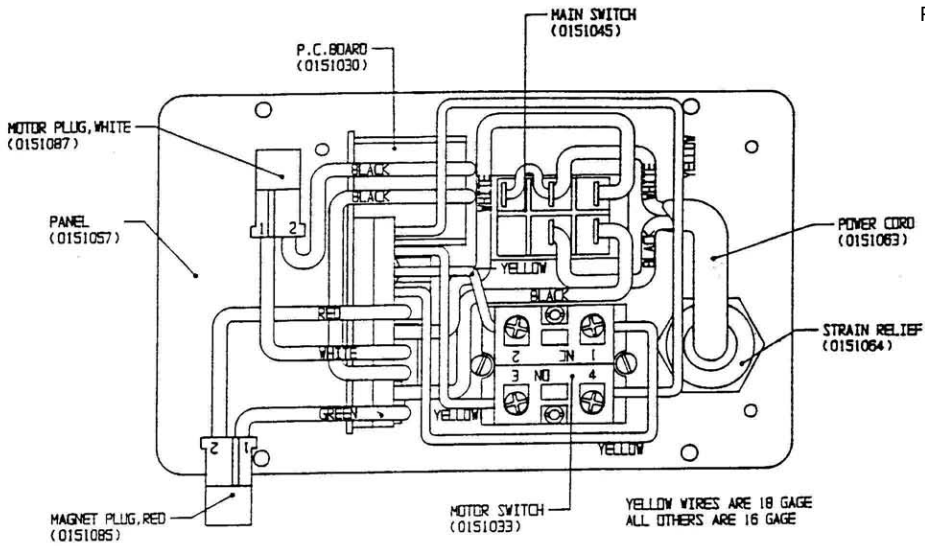




# JM5000 1993

10100A	ARBOR ASSM	1 EA	0151085	CONNECTOR HOUSING RED	1 EA
20100P	PISTON PLUNGER ASSM	1 EA	0151087	FEMALE PIN CONNECTOR	1 EA
0010103	ARBOR BODY	1 EA	0151091	MALE PIN CONNECTOR	1 EA
0010104	SSS 5/16-24X5/16	2 EA	0151093	CONNECTOR 2 PIN RED	1 EA
0010105	PISTON	1 EA	0151101	WIRE WHITE 16 GA.	1 EA
0010106	SPRING	1 EA	0151103	ARBOR & SUPPORT ASSM	1 EA
0010107	PLUNGER	1 EA	0151107	120V MOTOR JM5000	1 EA
0010109	SHCS, 1/4-20 X 1/2	1 EA	0151109	GEAR RACK JM5000	1 EA
0010110	SPACER PLATE	1 EA	0151111	REAR MOTOR COVER PLATE	1 EA
0010112	RETAINER PLATE	1 EA	0151113	SLIDE COVER PLATE	1 EA
0010142	WOODRUFF KEY #9	1 EA	0151119	MOTOR CABLE JM5000	1 EA
0010161	BALL KNOB	3 EA	0151121	PANEL CABLE JM5000	1 EA
0010185	SSS 3/8-24X 5/16	2 EA	0151161	MAGNET 120V JM5000	1 EA
0012180	POWER CORD 120V	1 EA	0151162	MAGNET 240V JM5000	1 EA
0012181	STRAIN RELIEF	1 EA	0151163	COOLANT RESERVOIR	1 EA
0012181-N	STRAIN RELIEF NUT	1 EA	0151164	COOLANT TUBING	1 EA
0020114	ROLLER BEARING	1 EA	0151165	RESERVOIR CAP	1 EA
0070042	BRASS COLLAR	1 EA	0151169	RESERVOIR SEAL	1 EA
0070043	HOSE BARB 1/8 X 1/4	1 EA	0151170	COOLANT VALVE	1 EA
0070043-N	COOLANT COUPLING ELBOW	1 EA	0151179	CONE POINT M5 X 8 X 14	6 EA
0070043-3N	SLEEVE 3" COOLANT	1 EA	0151181	ZINC NUT M5 X 8	6 EA
0070078	LOCKWASHER 1/4"	2 EA	0151183	SFHMS M3 X 5 X 16	6 EA
0070079	O-RING	2 EA	0151185	PHMS M3.5 X 6 X 10	4 EA
0070087	HEX KEY 5/32	1 EA	0151186	SFHMS M5 X 8 X 16	2 EA
0070089	HEX KEY 3/16	1 EA	0151190	BHCS M6 X 1 X 16	2 EA
0070090	T-HANDLE HEX KEY 3/16	1 EA	0151191	HCS 1/4-20 X 3/4	6 EA
0070103	COOLANT BRACKET	1 EA	0151193	PINION SHAFT JM5000	1 EA
0070119	SNAP RING	2 EA	0151195	HUB BOLT	1 EA
0070157	BLUE FEMALE CRIMP	6 EA	0151199	NEEDLE BEARING	2 EA
0070369	ROLL PIN 1/8 X 9/16	1 EA	0151201	STRAIN RELIEF BUSHING	1 EA
0070530	HEX HEAD BOLT	2 EA	0151203	INTERNAL RETAINING RING	1 EA
0070537	SHCS, 6mm-1-30mm	1 EA	0151205	THRUST WASHER	2 EA
0070538	SHCS, 6mm-1-25mm	1 EA	0151207	THRUST WASHER	2 EA
0151005	MAIN FRAME JM5000	1 EA	0151209	SPOKE HANDLE	3 EA
0151010	MOTOR SLIDE JM5000	1 EA	0151217	OWNER'S MANUAL	1 EA
0151015	SUPPORT BRACKET JM5000	1 EA	0151219	8mm WRENCH	1 EA
0151025	PRESSURE PLATE	1 EA	0151227	PANEL GASKET	1 EA
0151028	PANEL JM5000	1 EA	0151229	GREASE FITTING	1 EA
0151029	PC BOARD 240V	1 EA	0151231	PANEL SCHEMATIC DECAL	1 EA
0151030	PC BOARD 120V	1 EA	0151235	<b>PANHEAD ST #12 X 1</b>	2 EA
0151033	CONTACT BLOCK	1 EA	0151237	<b>PANHEAD ST #12 X 1/2</b>	2 EA
0151035	MOTOR ON/OFF SWITCH	1 EA	0151239	<b>SHCS M5 X 8 X 14</b>	2 EA
0151044	MAGNET SWITCH 240V	1 EA	0151251	<b>SAFETY STRAP</b>	1 EA
0151045	MAGNET SWITCH 120V	1 EA	0151257	<b>JM5000 LABEL</b>	1 EA
0151053	PANEL BOX ENCLOSURE	1 EA	0151259	<b>CRFHMS M3 X 5 X 6</b>	2 EA
0151057	PANEL PLATE	1 EA	0151263	<b>TUBING FOR MOTOR CORD</b>	1 EA
0151058	SIDE PANEL PLATE COVER	1 EA	0151265	<b>JM5000 MOTOR LABEL</b>	1 EA
0151061	PANEL PLATE DECAL 120V	1 EA	0151269	<b>STRAIN SPACER</b>	1 EA
0151064	90° PIGTAIL STRAIN	1 EA	0151271	<b>COOLANT COUPLING FRAME</b>	1 EA
0151064N	STRAIN RELIEF NUT	1 EA	0151273	<b>DOUBLE END BARB</b>	1 EA
0151065	STRAIN RELIEF	1 EA	0151275	<b>WASHER FLAT #12</b>	2 EA
0151073	FEMALE MOLEX PIN	2 EA	0151283	<b>CORD PROTECTOR</b>	1 EA
0151083	MALE MOLEX PIN	2 EA			

# JM5000 ELECTRIC PARTS



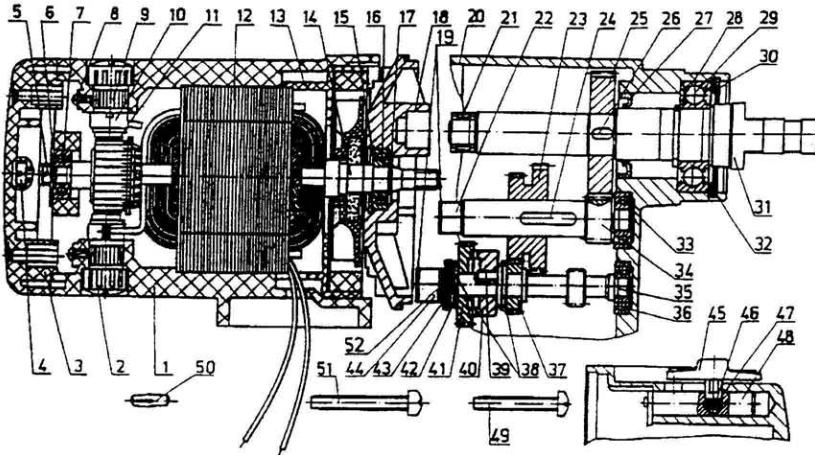
PART #	DESCRIPTION	QTY.
	120 VOLT 0151028 & 240 VOLT 0151032	
0151064	STRAIN RELIEF PIGTAIL	1 EA
0151064N	STRAIN RELIEF NUT ONLY	1 EA
0070157	TERMINAL, FEMALE 1/4 PUSHON T2626	6 EA
0078130	WIRE, 18 GA YELLOW	
0078131	WIRE, 16 GA BLACK	
0151030	PC BOARD, JM-5000 120 VOLT	1 EA
0151029	PC BOARD JM-5000 240 VOLT	1 EA
0151035	SWITCH, MOTOR PUSH BUTTONS	1 EA
0151040	SWITCH, MOTOR CONTACT BLOCK	1 EA
0151044	SWITCH ROCKER 240 VOLT	1 EA
0151045	SWITCH, ROCKER MAGNET 120V	1 EA
0151053	ENCLOSURE W/ CUTOUTS	1 EA
0151057	PLATE, CONTROL PANEL, PLASTIC	1 EA
0151061	OVERLAY, CONTROL PANEL	1 EA
0151063	CORD, POWER 16/2	1 EA
0151065	STRAIN RELIEF, BUSHING HEYCO-2070	1 EA
0151073	PIN, MOLEX, FEMALE	2 EA
0151087	CONNECTOR HOUSING, 2 PIN FEMALE	2 EA
0151101	WIRE, 16 GA WHITE	
0151183	SCR,M3 X .5 X 16 mm SFHMS	4 EA
0151185	SCR,M3.5 X .6 X 10 mm PHMSCR	4 EA

# JM5000 MOTOR

PART #

0151107—120 volt

0151127—240 volt



1	E55001	HOUSING, EBSTK MOTOR	26	E55026	FEATHER KEY
2	E55002	COVER, BRUSH HOLDER	27	E55027	SEAL RING
3	E55003	CAP, FOR MOTOR HSG.	28	E55028	RETAINING RING
4	E55004	SCREW, 4.2 mm X 22 mm	29	E55029	BALL BEARING
5	E55005	SCREW, 4.2 mm X 13 mm	30	E55030	WASHER, BALL BEARING
6	E55006	COVER PLATE	31	E55031	MOTOR SPINDLE
7	E55007	BALL BEARING, UPPER	32	E55032	RETAINING RING
8	E55008	SCREW, 3.9 mm X 9.5 mm	33	E55033	BALL BEARING
9	E55009	TUBULAR CARBON HOLDER	34	E55034	INTERMEDIATE SHAFT 2
10	E55010	CLAMP, TENSION	35	E55035	INTERMEDIATE SHAFT 1
11	E55011	CARBON BRUSH	36	E55033	BALL BEARINGS
12	E55012	FIELD 120 VOLT	37	E55037	INTERMEDIATE GEAR
13	E55013	FAN BAFFLE	38	E55038	DISC SPRING
14	E55014	ARMATURE 120 VOLT	39	E55039	FEATHER KEY, HARDENED
	E55514	ARMATURE 240 VOLT	40	E55040	COUPLING HALF
	E55512	FIELD 240 VOLT	41	E55041	CLUTCH GEAR
15	E55015	RETAINING RING	42	E55042	PRESSURE WASHER
16	E55016	BALL BEARING, LOWER	43	E55043	RETAINING RING
17	E55017	RETAINING RING	44	E55044	NEEDLE BEARING
18	E55018	FLANGE, GEAR BOX	45	E55045	GEAR SHIFTER
19	E55019	SHIM RING	46	E55046	PRESSURE SPRING
20	E55020	HOUSING, GEAR BOX	47	E55047	TUBULAR RIVET W/CAPSCR.
21	E55021	BUSHING, NEEDLE	48	E55048	COUPLING BOLT
22	E55022	BEARING, NEEDLE	49	E55049	SCREW, 5.5 mm X 38 mm
23	E55023	GEAR BLOCK 30/32 TEETH	50	E55050	DOWEL PIN 51
24	E55024	FEATHER KEY	51	E55051	SCREW, 5.5 mm X 45 mm
25	E55025	SPINDLE GEAR	52	E55052	SHIM RING

## ALL JM5000 PART NUMBERS AND LIST PRICES

ALL PRICES SUBJECT TO CHANGE

PART #	PRICE	PART #	PRICE	PART #	PRICE	PART #	PRICE
10100A	\$139.50	0092018	\$ 0.43	0151183	\$ 0.43	0151345	N/A
0010104	\$ 0.43	0093124	\$ 1.00	0151184	\$ 0.43	0151347	N/A
0010105	\$ 21.73	0151005	\$ 432.00	0151186	\$ 0.43	0151349	N/A
0010106	\$ 1.24	0151010	\$ 135.00	0151190	\$ 0.55	0151351	N/A
0010109	\$ 0.43	0151015	\$ 70.00	0151191	\$ 0.43	0151353	N/A
0010110	\$ 3.10	0151025	\$ 15.00	0151193	\$ 32.00	0151355	N/A
0010112	\$ 9.31	0151028	\$ 295.00	0151195	\$ 10.00	0151359	N/A
0010119	\$ 0.43	0151033	\$ 32.40	0151199	\$ 3.00	0151361	N/A
0010136	\$ 9.90	0151035	\$ 30.00	0151203	\$ 0.50	0151363	N/A
0010142	\$ 1.86	0151040	N/A	0151205	\$ 1.50	0151365	N/A
0010185	\$ 0.43	0151044	\$ 30.00	0151207	\$ 1.50	0151369	N/A
0012180	\$ 16.08	0151045	\$ 30.00	0151217	\$ 2.52	0151437	\$99.90
0012181	\$ 8.63	0151053	\$ 14.00	0151219	\$ 4.50	0151447	\$25.00
0012181N	\$ 0.43	0151057	\$ 7.50	0151227	\$ 1.50		
0014200	\$ 16.08	0151058	\$ 5.00	0151229	\$ 1.00		
16001	\$ 7.30	0151061	\$ 5.00	0151231	\$ 5.00		
16002	\$ 7.57	0151064	\$ 2.00	0151233	N/A		
16003	\$ 7.83	0151064N	\$ 0.85	0151235	\$ 0.43		
16004	\$ 8.38	0151065	\$ 5.00	0151239	\$ 0.43		
20100P	\$ 41.83	0151073	\$ 1.00	0151241	\$ 2.00		
0020114	\$ 6.10	0151083	\$ 1.00	0151251	\$ 18.00		
0070028	\$ 0.30	0151085	\$ 1.00	0151257	\$ 1.00		
0070034-N	\$ 10.00	0151087	\$ 0.60	0151259	\$ 0.43		
0070035	\$ 11.00	0151091	\$ 0.60	0151263	\$ 1.00		
0070042	\$ 20.00	0151093	\$ 1.00	0151265	\$ 1.00		
0070043	\$ 5.00	0151101	\$ 1.00	0151269	\$ 1.50		
0070043-3N	\$121.50	0151103	\$ 225.00	0151271	\$ 25.00		
0070078	\$ 0.43	0151105	\$ 475.00	0151273	\$ 2.00		
0070079	\$ 4.32	0151107	\$ 400.00	0151275	\$ 0.43		
0070087	\$ 1.62	0151109	\$ 32.00	0151279	\$ 0.50		
0070089	\$ 1.62	0151111	\$ 2.00	0151285	\$ 0.50		
0070090	\$ 4.50	0151113	\$ 2.50	0151289	\$ 30.00		
0070103	\$ 27.00	0151119	\$ 25.00	0151291	\$ 30.00		
0070119	\$ 1.62	0151120	\$ 16.00	0151297	\$ 400.00		
0070157	\$ 0.65	0151121	\$ 16.00	0151299	\$ 375.00		
0070369	\$ 0.43	0151125	N/A	0151301	\$ 33.00		
0070530	\$ 0.43	0151161	\$ 300.00	0151303	\$ 11.00		
0070537	\$ 0.50	0151162	\$ 300.00	0151305	\$ 11.00		
0070538	\$ 0.43	0151163	\$ 10.00	0151307	\$ 0.50		
0070544	\$ 14.90	0151164	\$ 1.00	0151309	\$ 2.00		
0070573	\$ 0.43	0151165	\$ 1.00	0151331	\$ 0.43		
0078130	\$ 1.00	0151169	\$ 1.00	0151333	\$ 5.00		
0078131	\$ 1.00	0151170	\$ 30.00	0151335	\$ 1.50		
0079320	\$ 40.00	0151179	\$ 0.43	0151343	N/A		

## MOTOR PARTS

PART #	PRICE	PART #	PRICE
E55001	N/A	E55037	\$ 35.00
E55002	\$ 1.00	E55038	\$ 0.43
E55003	\$ 7.50	E55039	\$ 2.00
E55004	\$ 0.43	E55040	\$ 124.00
E55005	\$ 0.43	E55041	\$ 60.00
E55006	\$ 0.83	E55042	\$ 0.43
E55007	\$ 6.00	E55043	\$ 0.75
E55008	\$ 0.43	E55044	\$ 8.50
E55009	\$ 10.00	E55045	\$ 3.00
E55010	\$ 2.00	E55046	\$ 0.43
E55011	\$ 7.00	E55047	\$ 1.00
E55012	\$ 75.00	E55048	\$ 15.00
E55013	\$ 6.00	E55049	\$ 0.75
E55014	\$170.00	E55050	\$ 0.50
E55015	\$ 0.90	E55051	\$ 0.85
E55016	\$ 10.00	E55052	\$ 0.85
E55017	\$ 0.43	E55512	\$ 137.80
E55018	\$100.00	E55514	\$ 269.10
E55019	\$ 0.50		
E55020	\$110.00	E55055 FAN FOR ARMATURE	\$ 6.00
E55021	\$ 7.50	E55061 CARBON BRUSH SET	\$ 17.50
E55022	\$ 10.00		
E55023	\$ 65.00		
E55024	\$ 2.10		
E55025	\$ 50.00		
E55026	\$ 1.50		
E55027	\$ 4.50		
E55028	\$ 0.60		
E55029	\$ 16.00		
E55030	\$ 0.80		
E55031	\$ 50.00		
E55032	\$ 1.25		
E55033	\$ 7.00		
E55034	\$ 50.00		
E55035	\$ 45.00		