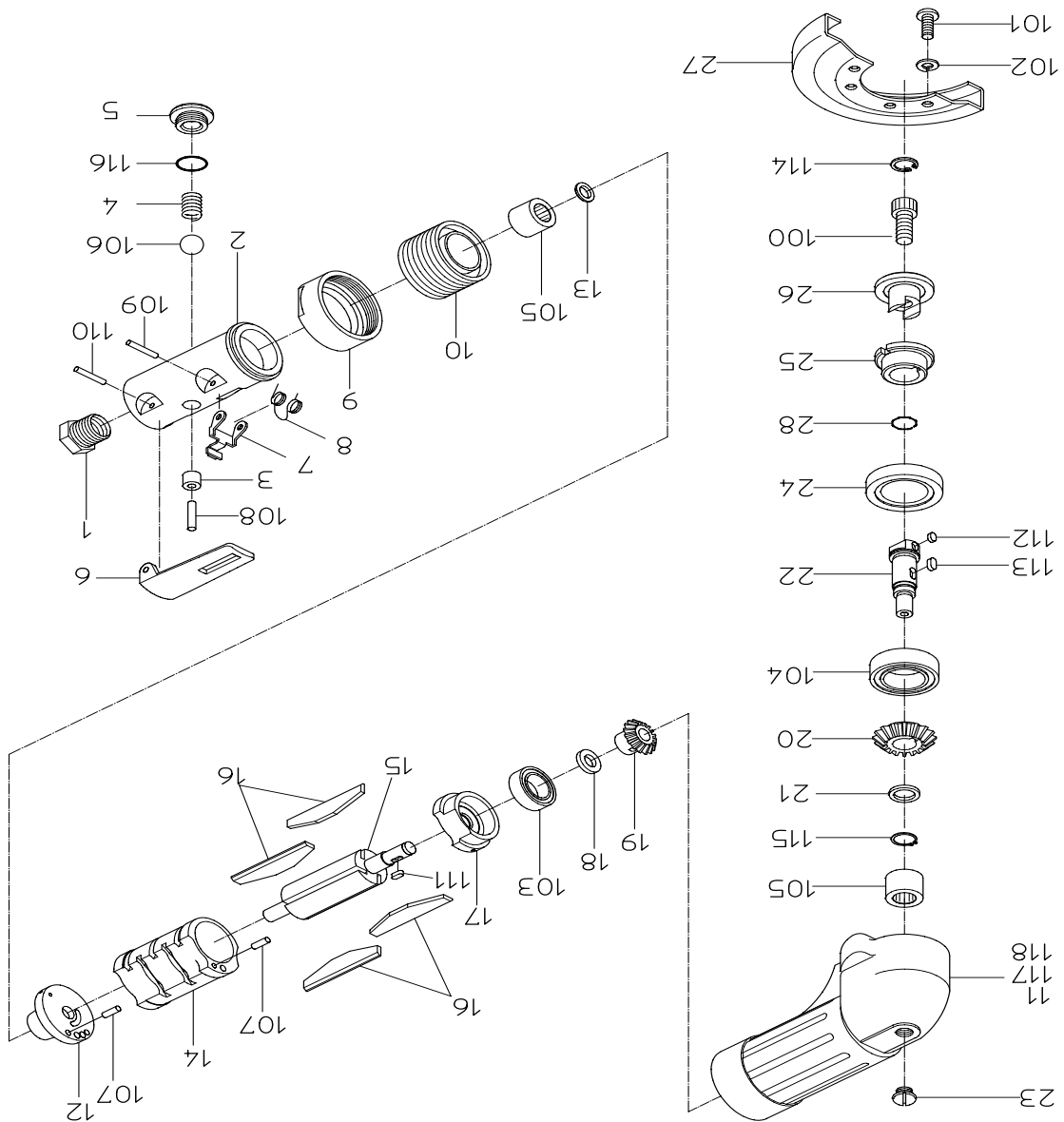


PARTS LIST

NAG-1BLW

502032 (G40W02)

502042 (G40W52) (NPT)



日本ニューマチック工業株式会社
NIPPON PNEUMATIC MFG.CO.,LTD.

新旧対照リスト

(1/2)

COMPARISON LIST

型式 MODEL: **NAG-1BLW**

| 符号 | 新品番 | 現状品番 | | | 個数 |
|------|--------------|------------------|-----------------|-------------------|------|
| ITEM | NEW PART NO. | CURRENT PART NO. | NEW PART NAME | CURRENT PART NAME | Q'ty |
| 1 | 15204080 | I31000H020 | INLET BUSHING | INLET BUSH | 1 |
| 2 | 15005500 | G40W00H550 | HANDLE | HANDLE | 1 |
| 3 | 15005480 | G40W00H270 | THROTTLE BUSH | THROTTLE BUSH | 1 |
| 4 | 15102340 | D32000B210 | THROTTLE SPRING | THROTTLE SPRING | 1 |
| 5 | 15005490 | G40W00H360 | THROTTLE PLUG | THROTTLE PLUG | 1 |
| 6 | 15005510 | G40W00H880 | LEVER | LEVER | 1 |
| 7 | 15005520 | G40W00Z260 | STOPPER | STOPPER | 1 |
| 8 | 15008230 | G53W10B250 | STOPPER SPRING | STOPPER SPRING | 1 |
| 9 | 15005530 | G40W00Z900 | LOCK NUT | LOCK NUT | 1 |
| 10 | 15005470 | G40W00H050 | AIR CONNECTOR | AIR CONNECTOR | 1 |
| 11 | 15005221 | G40002R731 | ROTOR CASE | ROTOR CASE | 1 |
| 12 | 15005180 | G40000R300 | TOP PLATE | TOP PLATE | 1 |
| 13 | 15005230 | G40000R740 | ROTOR BUSH | ROTOR BUSH | 1 |
| 14 | 15005170 | G40000R200 | CYLINDER | CYLINDER | 1 |
| 15 | 15005210 | G40000R720 | ROTOR | ROTOR | 1 |
| 16 | 15005190 | G40000R500 | VANE | VANE | 4 |
| 17 | 15005200 | G40000R510 | BOTTOM PLATE | BOTTOM PLATE | 1 |
| 18 | 15005250 | G40000R800 | ROTOR WASHER | ROTOR WASHER | 1 |
| 19 | 15005240 | G40000R770 | ROTOR GEAR | ROTOR GEAR | 1 |
| 20 | 15005270 | G40000S300 | SPINDLE GEAR | SPINDLE GEAR | 1 |
| 21 | 15005260 | G40000S280 | SPINDLE WASHER | SPINDLE WASHER | 1 |
| 22 | 15005281 | G40001S321 | STONE SPINDLE | STONE SPINDLE | 1 |
| 23 | 15005050 | G40000H080 | OIL PLUG | OIL PLUG | 1 |
| 24 | 15007100 | G48000S310 | SPINDLE NUT | SPINDLE CASE NUT | 1 |
| 25 | 15005081 | G40001K311 | STONE FLANGE | STONE FLANGE | 1 |
| 26 | 15005100 | G40000K410 | WHEEL NUT | DISC WHEEL NUT | 1 |
| 27 | 15005090 | G40000K330 | STONE COVER | STONE COVER | 1 |
| 28 | 15007130 | G48000Z340 | STOPPER RING | STOPPER RING | 1 |

新旧対照リスト COMPARISON LIST

(2/2)

型式 MODEL: **NAG-1BLW**

| 符号 ITEM | 新品番 NEW PART NO. | 現状品番 CURRENT PART NO. | NEW PART NAME | CURRENT PART NAME | 個数 Q'ty |
|------------|---------------------|--------------------------|---------------------|-----------------------|------------|
| 100 | 74008020 | 1050108020 | CAP SCREW | HEX. SOCKET CAP SCREW | 1 |
| 101 | 25113160 | 1400010510 | C-R. PAN HEAD SCREW | C-R. PAN HEAD SCREW | 4 |
| 102 | 76420105 | 1954020050 | SPRING WASHER | SPRING WASHER | 4 |
| 103 | 28201072 | 2012000629 | BALL BEARING | BALL BEARING | 1 |
| 104 | 28201098 | 2012006301 | BALL BEARING | BALL BEARING | 1 |
| 105 | 28203073 | 2993040001 | NEEDLE BEARING | NEEDLE BEARING | 2 |
| 106 | 28205051 | 2800210350 | RUBBER BALL | RUBBER BALL | 1 |
| 107 | 28206036 | 3010030090 | PIN | PARALLEL PIN | 2 |
| 108 | 28207223 | 3022040190 | ROLLER PIN | ROLLER PIN | 1 |
| 109 | 28208061 | 3030030180 | SPRING PIN | SPRING PIN | 1 |
| 110 | 25305020 | 3030030250 | SPRING PIN | SPRING PIN | 1 |
| 111 | 28209010 | 3102030307 | KEY | KEY | 1 |
| 112 | 28209015 | 3102040406 | KEY | KEY | 1 |
| 113 | 28209016 | 3102040408 | KEY | KEY | 1 |
| 114 | 25307600 | 3200020140 | RETAINING RING | RETAINING RING | 1 |
| 115 | 25307480 | 3200010110 | RETAINING RING | RETAINING RING | 1 |
| 116 | 61200120 | 4150100120 | O RING | O RING | 1 |
| 117 | 18400495 | 0510000026 | NAME PLATE | NAME PLATE | 1 |
| 118 | 18400081 | 0500000081 | NAME PLATE | NAME PLATE | 1 |