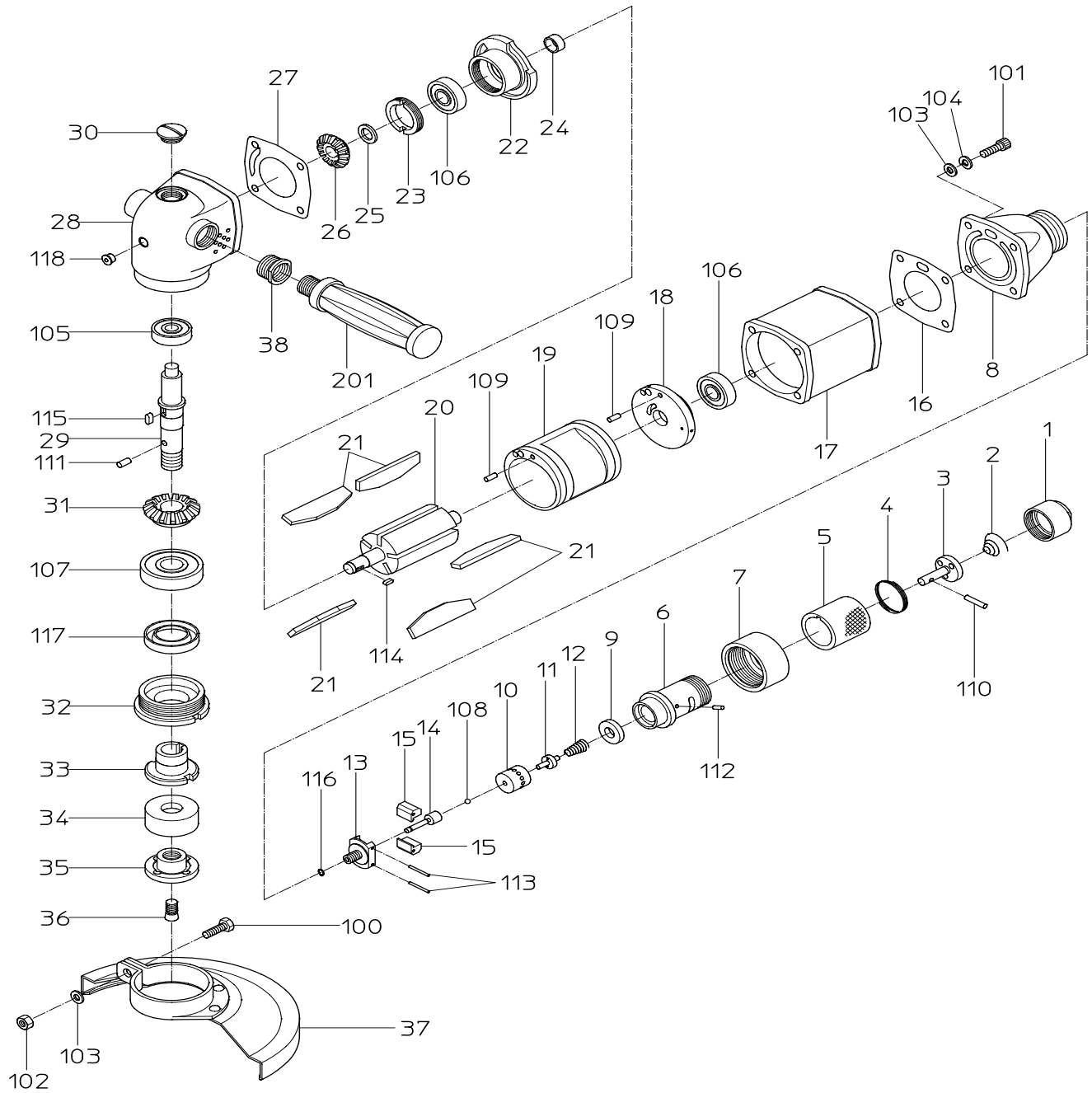


PARTS LIST

NAG-2E

502250 (G44C00)

502260 (G44C50) (NPT)



日本ニューマチック工業株式会社
NIPPON PNEUMATIC MFG.CO.,LTD.

新旧対照リスト COMPARISON LIST

(1/2)

型式 MODEL: NAG-2E

符号 ITEM	新品番 NEW PART NO.	現状品番 CURRENT PART NO.	NEW PART NAME	CURRENT PART NAME	個数 Q'ty
1	15007730	G53010H020	INLET BUSHING	INLET BUSH	1
2	15007640	G53010B210	THROTTLE SPRING	THROTTLE SPRING	1
3	15007770	G53010H300	THROTTLE VALVE	THROTTLE VALVE	1
4	15007660	G53010B580	PUSH SPRING	PUSH SPRING	1
5	15005990	G44000H150	GRIPE	GRIP	1
6	15006000	G44000H290	THROTTLE ARBOR	THROTTLE ARBOR	1
7	15006010	G44000H390	ARBOR NUT	THROTTLE ARBOR NUT	1
8	15006020	G44000H550	HANDLE	HANDLE	1
9	15005970	G44000G300	GOVERNOR WASHER	GOVERNOR SPRING WASHER	1
10	15005950	G44000G230	GOVERNOR BUSH	GOVERNOR BUSH	1
11	15005920	G44000G200	GOVERNOR VALVE	GOVERNOR VALVE	1
12	15005900	G44000B100	GOVERNOR SPRING	GOVERNOR SPRING	1
13	15007700	G53010G210	GOVERNOR BODY	GOVERNOR BODY	1
14	15005960	G44000G240	GOVERNOR SPINDLE	GOVERNOR SPINDLE	1
15	15007710	G53010G220	GOVERNOR WEIGHT	GOVERNOR WEIGHT	2
16	15006090	G44000P300	TOP SEAL	TOP SEAL	1
17	15006180	G44000R730	ROTOR CASE	ROTOR CASE	1
18	15006120	G44000R300	TOP PLATE	TOP PLATE	1
19	15006110	G44000R200	CYLINDER	CYLINDER	1
20	15006170	G44000R720	ROTOR	ROTOR	1
21	15006130	G44000R500	VANE	VANE	5
22	15006140	G44000R510	BOTTOM PLATE	BOTTOM PLATE	1
23	15006150	G44000R520	PLATE NUT	BOTTOM PLATE NUT	1
24	15006200	G44000R740	ROTOR BUSH	ROTOR BUSH	1
25	15006220	G44000R800	ROTOR WASHER	ROTOR WASHER	1
26	15006210	G44000R770	ROTOR GEAR	ROTOR GEAR	1
27	15006100	G44000P500	BOTTOM SEAL	BOTTOM SEAL	1
28	15006230	G44000S270	SPINDLE CASE	SPINDLE CASE	1
29	15006370	G44C00S320	STONE SPINDLE	STONE SPINDLE	1
30	15005980	G44000H080	OIL PLUG	OIL PLUG	1
31	15006250	G44000S300	SPINDLE GEAR	SPINDLE GEAR	1
32	15006260	G44000S310	SPINDLE NUT	SPINDLE CASE NUT	1
33	15006340	G44C00K310	STONE FLANGE	STONE FLANGE	1
34	15009010	G60000K320	STONE WASHER	STONE WASHER	1
35	15006060	G44000K410	WHEEL NUT	DISC WHEEL NUT	1
36	15006300	G44000Z910	LOCK SCREW	LOCK SCREW	1
37	15006360	G44C00K330	STONE COVER	STONE COVER	1

新旧対照リスト

COMPARISON LIST

(2/2)

型式 MODEL: **NAG-2E**

符号 ITEM	新品番 NEW PART NO.	現状品番 CURRENT PART NO.	NEW PART NAME	CURRENT PART NAME	個数 Q'ty
38	15006290	G44000Z370	SOCKET	SOCKET	2
100	72206020	1010106020	HEX. BOLT	HEX. BOLT	1
101	74006098	1050106098	CAP SCREW	HEX. SOCKET CAP SCREW	4
102	76111206	1204010106	HEX. NUT	HEX. NUT	1
103	76310206	1951010060	WASHER	PLAIN WASHER	6
104	76420106	1954020060	SPRING WASHER	SPRING WASHER	4
105	28201087	2012006200	BALL BEARING	BALL BEARING	1
106	28201088	2012006201	BALL BEARING	BALL BEARING	2
107	28201100	2012006303	BALL BEARING	BALL BEARING	1
108	25502120	2800110125	STEEL BALL	STEEL BALL	1
109	28206059	3010040140	PIN	PARALLEL PIN	2
110	28206062	3010040185	PIN	PARALLEL PIN	1
111	28206087	3010050070	PIN	PARALLEL PIN	1
112	28207052	3020030080	ROLLER PIN	ROLLER PIN	1
113	28208030	3030020200	SPRING PIN	SPRING PIN	2
114	28209011	3102030308	KEY	KEY	1
115	28209017	3102040410	KEY	KEY	1
116	25307780	3200070023	RETAINING RING	RETAINING RING	1
117	28302073	4131254106	OIL SEAL	OIL SEAL	1
118	28699003	9010000079	GREASE CUP	GREASE CUP	1
201	15006040	G44000I580	HOLDER	HOLDER	1