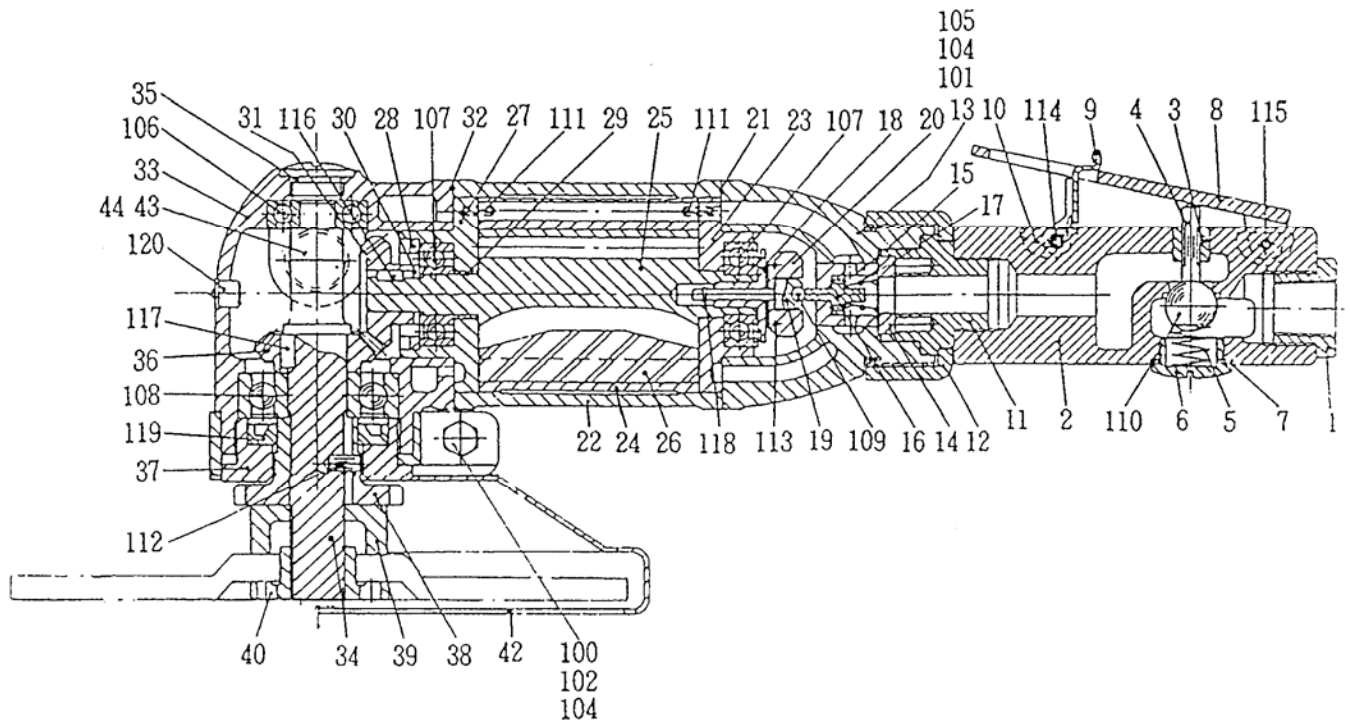


PARTS LIST

NAG-2ELW

502240



日本ニューマチック工業株式会社
NIPPON PNEUMATIC MFG.CO.,LTD.

パーツリスト PARTS LIST

(1/2)

型式 MODEL: **NAG-2ELW**

符号 ITEM	品番 PART NO.	名 PART NAME	個数 Q'ty
1	15210840	INLET BUSHING	1
2	15008240	THROTTLE ARBOR	1
3	15009270	THROTTLE BUSH	1
4	15009280	THROTTLE PIN	1
5	15009260	THROTTLE SPRING	1
6	15009290	THROTTLE PLUG	1
7	15009340	RUBBER PACKING	1
8	15008260	LEVER	1
9	15008270	STOPPER	1
10	15008230	STOPPER SPRING	1
11	15006520	THROTTLE ADAPTOR	1
12	15006410	ARBOR NUT	1
13	15006020	HANDLE	1
14	15005970	GOVERNOR WASHER	1
15	15005950	GOVERNOR BUSH	1
16	15005920	GOVERNOR VALVE	1
17	15005900	GOVERNOR SPRING	1
18	15007700	GOVERNOR BODY	1
19	15005960	GOVERNOR SPINDLE	1
20	15007710	GOVERNOR WEIGHT	2
21	15006090	TOP SEAL	1
22	15006180	ROTOR CASE	1
23	15006120	TOP PLATE	1
24	15006110	CYLINDER	1
25	15006170	ROTOR	1
26	15006130	VANE	5
27	15006140	BOTTOM PLATE	1
28	15006150	PLATE NUT	1
29	15006200	ROTOR BUSH	1
30	15006220	ROTOR WASHER	1
31	15006210	ROTOR GEAR	1
32	15006100	BOTTOM SEAL	1
33	15006230	SPINDLE CASE	1
34	15006510	STONE SPINDLE	1
35	15005980	OIL PLUG	1
36	15006250	SPINDLE GEAR	1
37	15006260	SPINDLE NUT	1
38	15006340	STONE FLANGE	1
39	15009010	STONE WASHER	1
40	15006060	WHEEL NUT	1
42	15006330	STONE COVER	1
43	15006290	SOCKET	2
44	15006040	HOLDER	1

パーツリスト PARTS LIST

(2/2)

型式 MODEL: **NAG-2ELW**

符号 ITEM	品番 PART NO.	名 PART NAME	個数 Q'ty
100	72206020	HEX. BOLT	1
101	74006098	CAP SCREW	4
102	76111206	HEX. NUT	1
104	76310206	WASHER	6
105	76420106	SPRING WASHER	4
106	28201087	BALL BEARING	1
107	28201088	BALL BEARING	2
108	28201100	BALL BEARING	1
109	25502120	STEEL BALL	1
110	28205053	RUBBER BALL	1
111	28206059	PIN	2
112	28206087	PIN	1
113	28208030	SPRING PIN	2
114	28208061	SPRING PIN	1
115	25305020	SPRING PIN	1
116	28209011	KEY	1
117	28209017	KEY	1
118	25307780	RETAINING RING	1
119	28302073	OIL SEAL	1
120	28699003	GREASE CUP	1