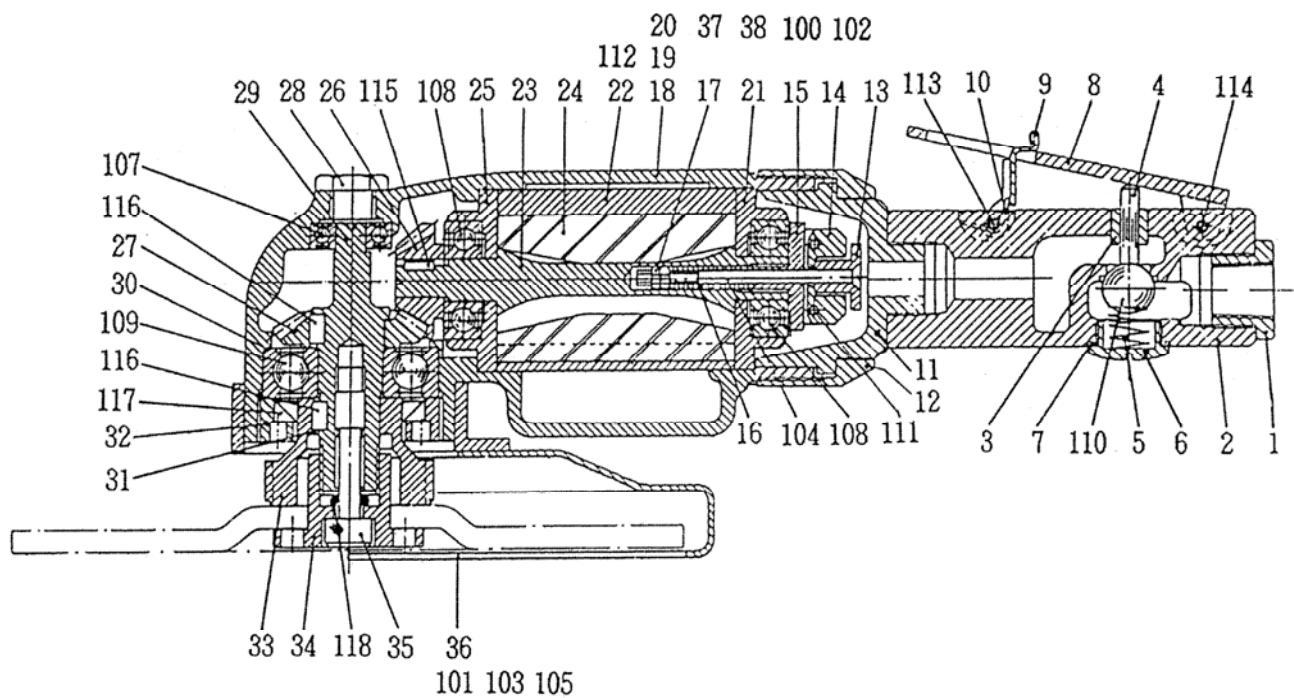


PARTS LIST

NAG-70ALW

502741 (G53W11)

502751 (G53W61) (NPT)



日本ニューマチック工業株式会社
NIPPON PNEUMATIC MFG.CO.,LTD.

新旧対照リスト COMPARISON LIST

(1/2)

型式 MODEL: **NAG-70ALW**

符号 ITEM	新品番 NEW PART NO.	現状品番 CURRENT PART NO.	NEW PART NAME	CURRENT PART NAME	個数 Q'ty
1	15210840	I70010H020	INLET BUSHING	INLET BUSH	1
2	15008240	G53W10H290	THROTTLE ARBOR	THROTTLE ARBOR	1
3	15009270	G61000H270	THROTTLE BUSH	THROTTLE BUSH	1
4	15009280	G61000H310	THROTTLE PIN	THROTTLE PIN	1
5	15009260	G61000B210	THROTTLE SPRING	THROTTLE SPRING	1
6	15009290	G61000H360	THROTTLE PLUG	THROTTLE PLUG	1
7	15009340	G61000P800	RUBBER PACKING	RUBBER PACKING	1
8	15008260	G53W10H880	LEVER	LEVER	1
9	15008270	G53W10Z260	STOPPER	STOPPER	1
10	15008230	G53W10B250	STOPPER SPRING	STOPPER SPRING	1
11	15008250	G53W10H550	HANDLE	HANDLE	1
12	15008080	G53010Z900	LOCK NUT	LOCK NUT	1
13	15007690	G53010G200	GOVERNOR VALVE	GOVERNOR VALVE	1
14	15007710	G53010G220	GOVERNOR WEIGHT	GOVERNOR WEIGHT	2
15	15007700	G53010G210	GOVERNOR BODY	GOVERNOR BODY	1
16	15007630	G53010B100	GOVERNOR SPRING	GOVERNOR SPRING	1
17	15007720	G53010G260	GOVERNOR NUT	GOVERNOR SPINDLE NUT	2
18	15007981	G53011R731	ROTOR CASE	ROTOR CASE	1
19	15007920	G53010P010	EXHAUST PACKING	EXHAUST PACKING	1
20	15007670	G53010E030	EXHAUST COVER	EXHAUST COVER	1
21	15007940	G53010R300	TOP PLATE	TOP PLATE	1
22	15007930	G53010R200	CYLINDER	CYLINDER	1
23	15007970	G53010R720	ROTOR	ROTOR	1
24	15007950	G53010R500	VANE	VANE	4
25	15007960	G53010R510	BOTTOM PLATE	BOTTOM PLATE	1
26	15007990	G53010R770	ROTOR GEAR	ROTOR GEAR	1
27	15008000	G53010S300	SPINDLE GEAR	SPINDLE GEAR	1
28	15007740	G53010H080	OIL PLUG	OIL PLUG	1
29	15008020	G53010S320	STONE SPINDLE	STONE SPINDLE	1
30	15008060	G53010Z410	THIN WASHER	THIN WASHER	1
31	15008040	G53010Z340	STOPPER RING	STOPPER RING	1
32	15008010	G53010S310	SPINDLE NUT	SPINDLE CASE NUT	1
33	15007830	G53010K310	STONE FLANGE	STONE FLANGE	1
34	15007850	G53010K410	WHEEL NUT	DISC WHEEL NUT	1
35	15008090	G53010Z910	LOCK SCREW	LOCK SCREW	1
36	15007840	G53010K330	STONE COVER	STONE COVER	1

新旧対照リスト

COMPARISON LIST

(2/2)

型式 MODEL: **NAG-70ALW**

符号	新品番	現状品番			個数
ITEM	NEW PART NO.	CURRENT PART NO.	NEW PART NAME	CURRENT PART NAME	Q'ty
37	15008050	G53011Z371	SOCKET	SOCKET	1
38	15007801	G53011I581	HOLDER	HOLDER	1
100	72206008	1010106008	HEX. BOLT	HEX. BOLT	1
101	72206020	1010106020	HEX. BOLT	HEX. BOLT	1
102	74004025	1050104025	CAP SCREW	HEX. SOCKET CAP SCREW	4
103	76111206	1204010106	HEX. NUT	HEX. NUT	1
104	28100258	1994014001	C-R. FLAT SCREW	C-R. FLAT SCREW	1
105	76310206	1951010060	WASHER	PLAIN WASHER	2
107	28201067	2012000608	BALL BEARING	BALL BEARING	1
108	28201088	2012006201	BALL BEARING	BALL BEARING	2
109	28201100	2012006303	BALL BEARING	BALL BEARING	1
110	28205053	2800210450	RUBBER BALL	RUBBER BALL	1
111	28208030	3030020200	SPRING PIN	SPRING PIN	2
112	25305550	3030030100	SPRING PIN	SPRING PIN	2
113	28208061	3030030180	SPRING PIN	SPRING PIN	1
114	25305020	3030030250	SPRING PIN	SPRING PIN	1
115	28209011	3102030308	KEY	KEY	1
116	28209016	3102040408	KEY	KEY	2
117	28302015	4011284005	OIL SEAL	OIL SEAL	1
118	61200060	4150100060	O RING	O RING	1