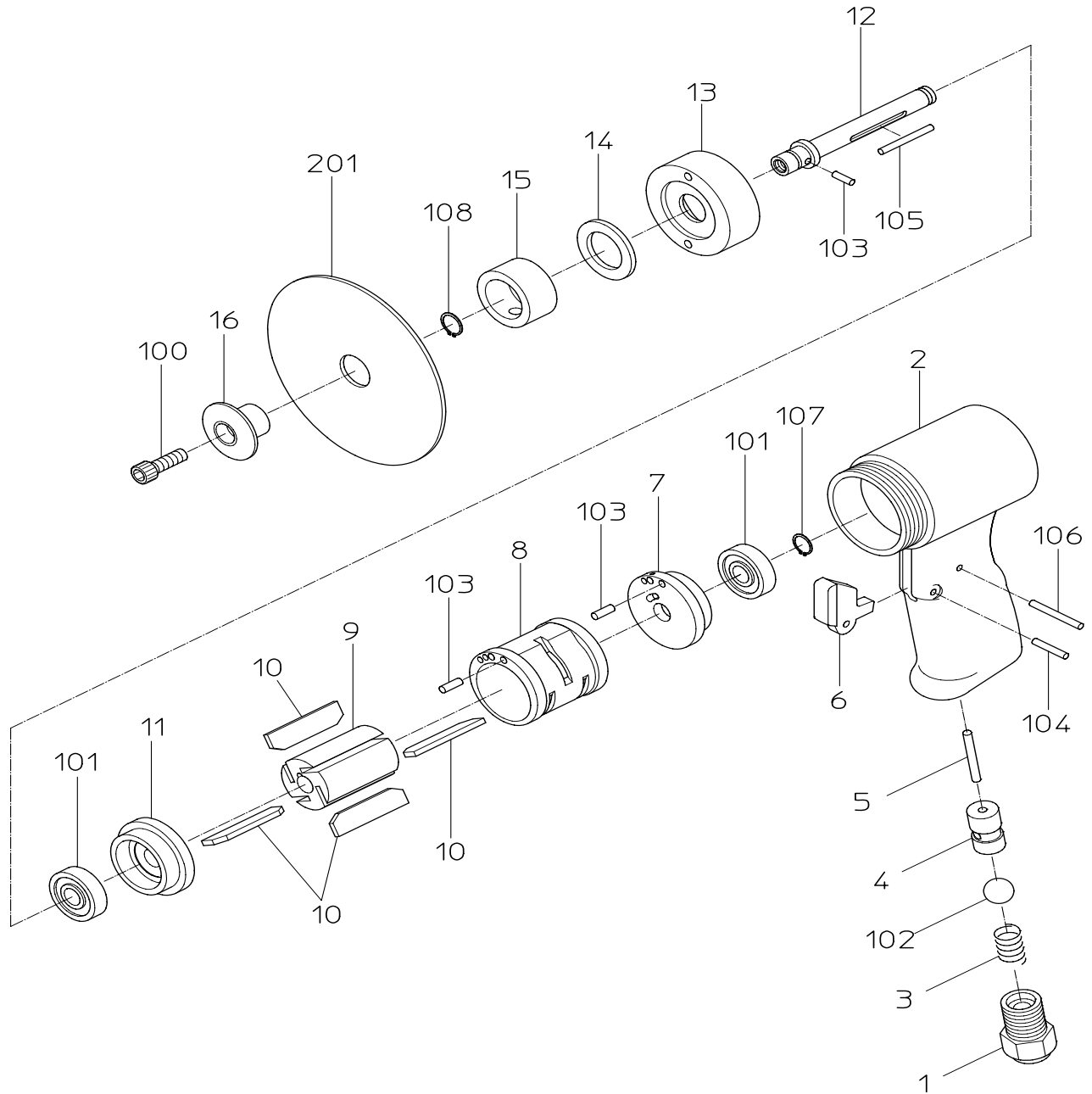


PARTS LIST

NSG-100

503910 (P01000)

503920 (P01050) (NPT)



日本ニューマチック工業株式会社
NIPPON PNEUMATIC MFG.CO.,LTD.

新旧対照リスト

(1/1)

COMPARISON LIST

型式 MODEL: NSG-100

符号 ITEM	新品番 NEW PART NO.	現状品番 CURRENT PART NO.	NEW PART NAME	CURRENT PART NAME	個数 Q'ty
1	15205580	I37010H020	INLET BUSHING	INLET BUSH	1
2	15011850	P01000H550	HANDLE	HANDLE	1
3	15011840	P01000B210	THROTTLE SPRING	THROTTLE SPRING	1
4	15205590	I37010H270	THROTTLE BUSH	THROTTLE BUSH	1
5	15205080	I36010H310	THROTTLE PIN	THROTTLE PIN	1
6	15203810	I30000H880	LEVER	LEVER	1
7	15011900	P01000R300	TOP PLATE	TOP PLATE	1
8	15003170	G22000R200	CYLINDER	CYLINDER	1
9	15003210	G22000R720	ROTOR	ROTOR	1
10	15003190	G22000R500	VANE	VANE	4
11	15011910	P01000R510	BOTTOM PLATE	BOTTOM PLATE	1
12	15011920	P01000R780	ROTOR SPRINDLE	ROTOR SPRINDLE	1
13	15011940	P01000Z900	LOCK NUT	LOCK NUT	1
14	15011930	P01000Y800	FELT RING	FELT RING	1
15	15011890	P01000K620	PAPER FLANGE	PAPER FLANGE	1
16	15011860	P01000K420	PAPER NUT	DISC PAPER NUT	1
100	74006014	1050106014	CAP SCREW	HEX. SOCKET CAP SCREW	1
101	28201072	2012000629	BALL BEARING	BALL BEARING	2
102	28205051	2800210350	RUBBER BALL	RUBBER BALL	1
103	28206036	3010030090	PIN	PARALLEL PIN	3
104	28207061	3020030160	ROLLER PIN	ROLLER PIN	1
105	28207067	3020030250	ROLLER PIN	ROLLER PIN	1
106	25305020	3030030250	SPRING PIN	SPRING PIN	1
107	25307210	3200010090	RETAINING RING	RETAINING RING	1
108	25307010	3200010100	RETAINING RING	RETAINING RING	1
201	15011880	P01000K610	PAPER PAD	PAPER PAD	1