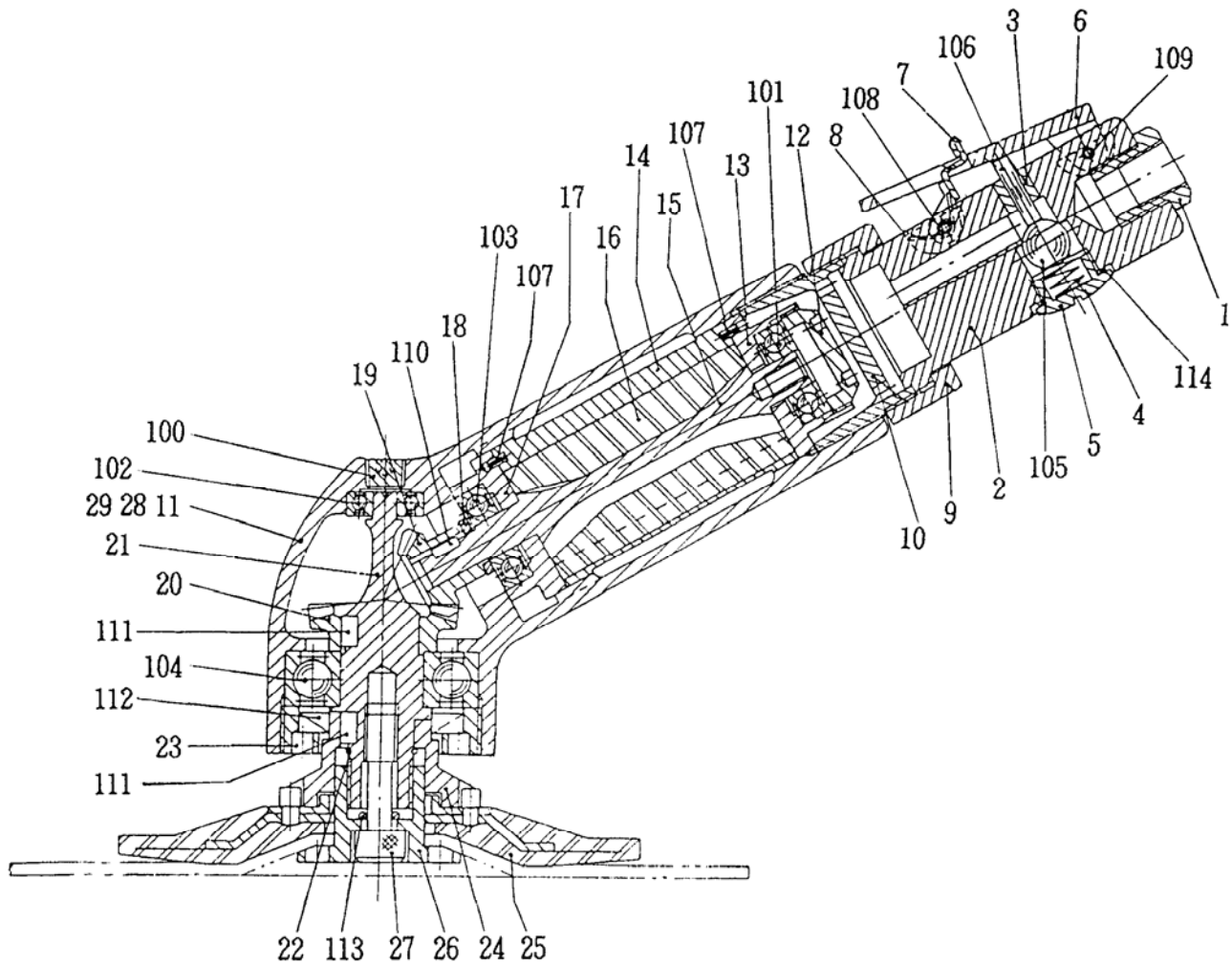


# PARTS LIST

## NSG-180XBLW

503960 (P04W20)

503970 (P04W70) (NPT)



日本ニューマチック工業株式会社  
NIPPON PNEUMATIC MFG.CO.,LTD.

# 新旧対照リスト

## COMPARISON LIST

(1/2)

型式 MODEL: NSG-180XBLW

符号 ITEM	新品番 NEW PART NO.	現状品番 CURRENT PART NO.	NEW PART NAME	CURRENT PART NAME	個数 Q'ty
1	15201760	I10000H020	INLET BUSHING	INLET BUSH	1
2	15005500	G40W00H550	HANDLE	HANDLE	1
3	15005480	G40W00H270	THROTTLE BUSH	THROTTLE BUSH	1
4	15102340	D32000B210	THROTTLE SPRING	THROTTLE SPRING	1
5	15005490	G40W00H360	THROTTLE PLUG	THROTTLE PLUG	1
6	15005510	G40W00H880	LEVER	LEVER	1
7	15005520	G40W00Z260	STOPPER	STOPPER	1
8	15008230	G53W10B250	STOPPER SPRING	STOPPER SPRING	1
9	15005530	G40W00Z900	LOCK NUT	LOCK NUT	1
10	15012200	P04W20H050	AIR CONNECTOR	AIR CONNECTOR	1
11	15012110	P04020R730	ROTOR CASE	ROTOR CASE	1
12	15003450	G24000R310	PLATE NUT	TOP PLATE NUT	1
13	15012070	P04020R300	TOP PLATE	TOP PLATE	1
14	15012060	P04020R200	CYLINDER	CYLINDER	1
15	15012100	P04020R720	ROTOR	ROTOR	1
16	15012080	P04020R500	VANE	VANE	4
17	15012090	P04020R510	BOTTOM PLATE	BOTTOM PLATE	1
18	15005250	G40000R800	ROTOR WASHER	ROTOR WASHER	1
19	15012120	P04020R770	ROTOR GEAR	ROTOR GEAR	1
20	15012130	P04020S300	SPINDLE GEAR	SPINDLE GEAR	1
21	15012140	P04020S320	STONE SPINDLE	STONE SPINDLE	1
22	15008040	G53010Z340	STOPPER RING	STOPPER RING	1
23	15008010	G53010S310	SPINDLE NUT	SPINDLE CASE NUT	1
24	15012040	P04020K620	PAPER FLANGE	PAPER FLANGE	1
25	15012030	P04020K610	PAPER PAD	PAPER PAD	1
26	15012020	P04020K420	PAPER NUT	DISC PAPER NUT	1
27	15008090	G53010Z910	LOCK SCREW	LOCK SCREW	1
28	15006290	G44000Z370	SOCKET	SOCKET	1
29	15006040	G44000I580	HOLDER	HOLDER	1

# 新旧対照リスト COMPARISON LIST

(2/2)

型式 MODEL: NSG-180XBLW

符号 ITEM	新品番 NEW PART NO.	現状品番 CURRENT PART NO.	NEW PART NAME	CURRENT PART NAME	個数 Q'ty
100	28100501	1700111007	HEX. SOCKET PLUG	HEX. SOCKET PLUG	1
101	28201072	2012000629	BALL BEARING	BALL BEARING	1
102	28201069	2012000626	BALL BEARING	BALL BEARING	1
103	28201072	2012000629	BALL BEARING	BALL BEARING	1
104	28201091	2012006204	BALL BEARING	BALL BEARING	1
105	28205051	2800210350	RUBBER BALL	RUBBER BALL	1
106	28207223	3022040190	ROLLER PIN	ROLLER PIN	1
107	28208056	3030030080	SPRING PIN	SPRING PIN	2
108	28208061	3030030180	SPRING PIN	SPRING PIN	1
109	25305020	3030030250	SPRING PIN	SPRING PIN	1
110	28209010	3102030307	KEY	KEY	1
111	28209016	3102040408	KEY	KEY	2
112	28302013	4011254005	OIL SEAL	OIL SEAL	1
113	61200060	4150100060	O RING	O RING	1
114	61200120	4150100120	O RING	O RING	1