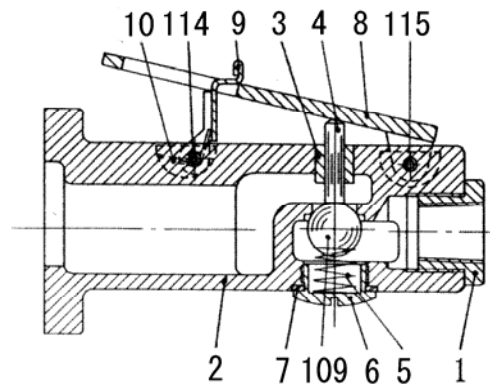
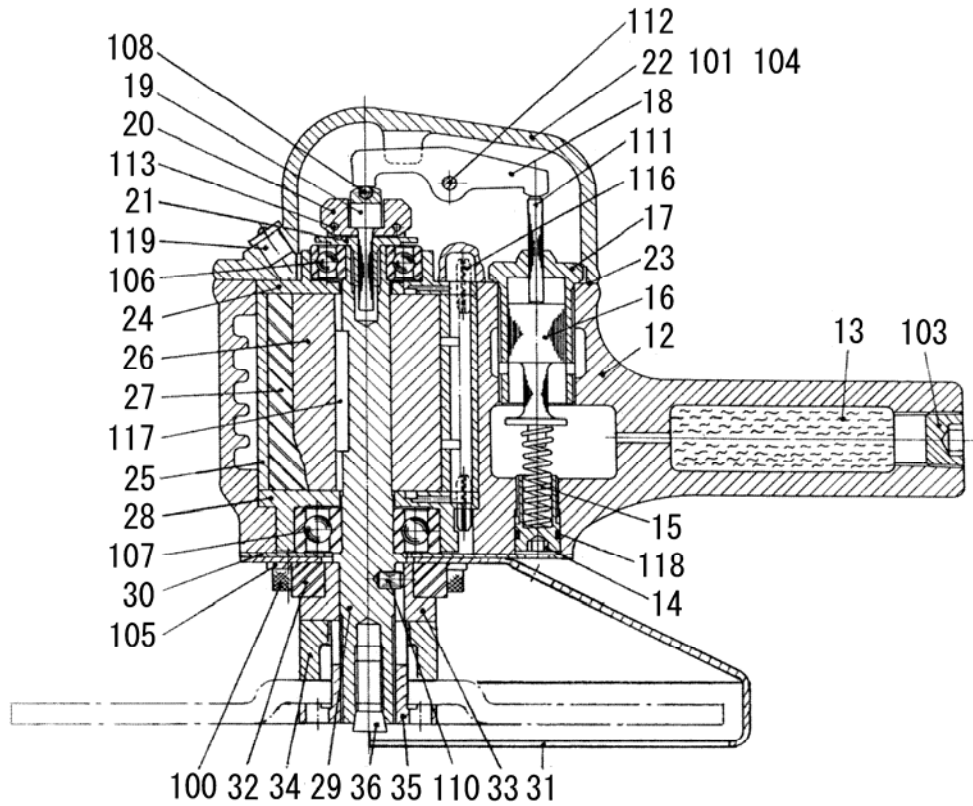


# PARTS LIST

## NVG-230SLW

503420 (G68W00)

503430 (G68W50) (NPT)



日本ニューマチック工業株式会社  
NIPPON PNEUMATIC MFG.CO.,LTD.

# 新旧対照リスト

(1/2)

## COMPARISON LIST

型式 MODEL: NVG-230SLW

新 NEW:503420

符号 ITEM	新品番 NEW PART NO.	現状品番 CURRENT PART NO.	品名 NEW PART NAME	CURRENT PART NAME	個数 Q'ty
1	15210840	I70010H020	INLET BUSHING	INLET BUSH	1
2	15010350	G80000H290	THROTTLE ARBOR	THROTTLE ARBOR	1
3	15009270	G61000H270	THROTTLE BUSH	THROTTLE BUSH	1
4	15009280	G61000H310	THROTTLE PIN	THROTTLE PIN	1
5	15009260	G61000B210	THROTTLE SPRING	THROTTLE SPRING	1
6	15009290	G61000H360	THROTTLE PLUG	THROTTLE PLUG	1
7	15009340	G61000P800	RUBBER PACKING	RUBBER PACKING	1
8	15008260	G53W10H880	LEVER	LEVER	1
9	15008270	G53W10Z260	STOPPER	STOPPER	1
10	15008230	G53W10B250	STOPPER SPRING	STOPPER SPRING	1
11	15009030	G60000P200	SEAL PACKING	SEAL PACKING	1
12	15009440	G62000R730	ROTOR CASE	ROTOR CASE	1
13	15009150	G60000Z050	OILER FELT	OILER FELT	1
14	15008770	G60000G080	ADJUST SCREW	ADJUST SCREW	1
15	15008740	G60000B100	GOVERNOR SPRING	GOVERNOR SPRING	1
16	15009370	G62000G200	GOVERNOR VALVE	GOVERNOR VALVE	1
17	15009380	G62000G230	GOVERNOR BUSH	GOVERNOR BUSH	1
18	15008860	G60000G290	GOVERNOR LEVER	GOVERNOR LEVER	1
19	15009390	G62000G240	GOVERNOR SPINDLE	GOVERNOR SPINDLE	1
20	15008310	G55010G220	GOVERNOR WEIGHT	GOVERNOR WEIGHT	2
21	15007700	G53010G210	GOVERNOR BODY	GOVERNOR BODY	1
22	15008960	G60000H560	HANDLE CAP	HANDLE CAP	1
23	15009040	G60000P300	TOP SEAL	TOP SEAL	1
24	15009420	G62000R300	TOP PLATE	TOP PLATE	1
25	15009050	G60000R200	CYLINDER	CYLINDER	1
26	15009430	G62000R720	ROTOR	ROTOR	1
27	15009070	G60000R500	VANE	VANE	4
28	15009080	G60000R510	BOTTOM PLATE	BOTTOM PLATE	1
29	15009460	G62000S320	STONE SPINDLE	STONE SPINDLE	1
30	15009120	G60000S640	BEARING COVER	BEARING COVER	1
31	15010190	G66W00K330	STONE COVER	STONE COVER	1
32	15009140	G60000Y800	FELT RING	FELT RING	1
33	15009410	G62000K310	STONE FLANGE	STONE FLANGE	1
34	15009010	G60000K320	STONE WASHER	STONE WASHER	1
35	15006060	G44000K410	WHEEL NUT	DISC WHEEL NUT	1
36	15006300	G44000Z910	LOCK SCREW	LOCK SCREW	1
100	28100358	1051420013	CAP SCREW	HEX. SOCKET CAP SCREW	4

日本ニューマチック工業株式会社

NIPPON PNEUMATIC MFG. CO., LTD. NVG-230SLW\_503420\_G68W00\_020405.xls

# 新旧対照リスト

(2/2)

## COMPARISON LIST

型式 MODEL: NVG-230SLW

新 NEW:503420

符号 ITEM	新品番 NEW PART NO.	現状品番 CURRENT PART NO.	品名 NEW PART NAME	CURRENT PART NAME	個数 Q'ty
101	28100359	1051420016	CAP SCREW	HEX. SOCKET CAP SCREW	4
102	28100360	1051420019	CAP SCREW	HEX. SOCKET CAP SCREW	4
103	28100503	1700113010	HEX. SOCKET PLUG	HEX. SOCKET PLUG	1
104	28100525	1954040020	SPRING WASHER	SPRING WASHER	8
105	28100526	1954060020	SPRING WASHER	SPRING WASHER	4
106	28201088	2012006201	BALL BEARING	BALL BEARING	1
107	28201099	2012006302	BALL BEARING	BALL BEARING	1
108	25502120	2800110125	STEEL BALL	STEEL BALL	1
109	28205053	2800210450	RUBBER BALL	RUBBER BALL	1
110	28206087	3010050070	PIN	PARALLEL PIN	1
111	28206119	3990104006	PIN	PARALLEL PIN	1
112	28207131	3020048330	ROLLER PIN	ROLLER PIN	1
113	28208030	3030020200	SPRING PIN	SPRING PIN	2
114	28208061	3030030180	SPRING PIN	SPRING PIN	1
115	25305020	3030030250	SPRING PIN	SPRING PIN	1
116	28208102	3030040160	SPRING PIN	SPRING PIN	2
117	28209023	3102040435	KEY	KEY	1
118	63910070	4152100070	O RING	O RING	1
119	28699002	9010000064	GREASE CUP	GREASE CUP	1

日本ニューマチック工業株式会社

NIPPON PNEUMATIC MFG. CO., LTD. NVG-230SLW\_503420\_G68W00\_020405.xls