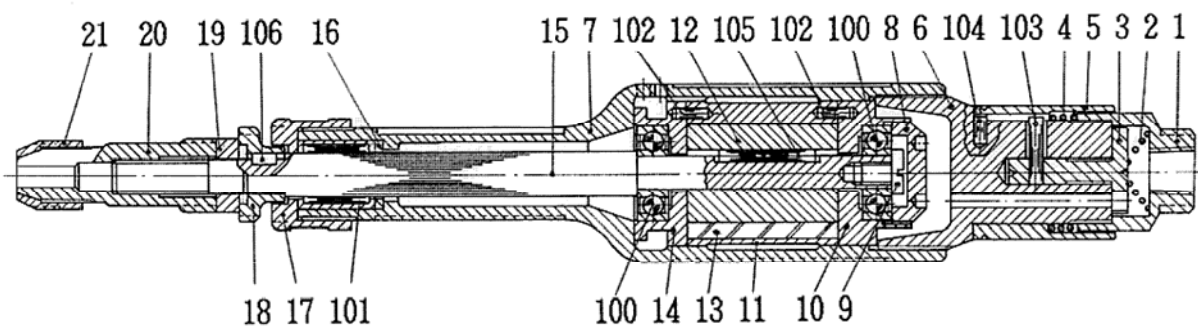


PARTS LIST

NHG-65LK

501350 (G25000)

501360 (G25050) (NPT)



日本ニューマチック工業株式会社
NIPPON PNEUMATIC MFG.CO.,LTD.

新旧対照リスト

(1/1)

COMPARISON LIST

型式 MODEL: **NHG-65LK**

新 NEW:501350

符号	新品番	現状品番	品名		個数
ITEM	NEW PART NO.	CURRENT PART NO.	NEW PART NAME	CURRENT PART NAME	Q'ty
1	15006960	G48000H020	INLET BUSHING	INLET BUSH	1
2	15007640	G53010B210	THROTTLE SPRING	THROTTLE SPRING	1
3	15007770	G53010H300	THROTTLE VALVE	THROTTLE VALVE	1
4	15007660	G53010B580	PUSH SPRING	PUSH SPRING	1
5	15005990	G44000H150	GRIPE	GRIP	1
6	15003400	G24000H550	HANDLE	HANDLE	1
7	15003380	G23000R730	ROTOR CASE	ROTOR CASE	1
8	15003450	G24000R310	PLATE NUT	TOP PLATE NUT	1
9	15003460	G24000Z910	LOCK SCREW	LOCK SCREW	1
10	15003440	G24000R300	TOP PLATE	TOP PLATE	1
11	15003170	G22000R200	CYLINDER	CYLINDER	1
12	15003210	G22000R720	ROTOR	ROTOR	1
13	15003190	G22000R500	VANE	VANE	4
14	15003200	G22000R510	BOTTOM PLATE	BOTTOM PLATE	1
15	15003390	G23000S320	STONE SPINDLE	STONE SPINDLE	1
16	15003260	G22000S630	BEARING WASHER	BEARING WASHER	1
17	15003240	G22000S310	SPINDLE NUT	SPINDLE CASE NUT	1
18	15003140	G22000K310	STONE FLANGE	STONE FLANGE	1
19	15003430	G24000K190	COLLET WASHER	COLLET WASHER	1
20	15003410	G24000K170	COLLET BODY	COLLET BODY	1
21	15003420	G24000K180	COLLET NUT	COLLET NUT	1
100	28201072	2012000629	BALL BEARING	BALL BEARING	2
101	28203074	2993040002	NEEDLE BEARING	NEEDLE BEARING	1
102	28206036	3010030090	PIN	PARALLEL PIN	2
103	28206062	3010040185	PIN	PARALLEL PIN	1
104	28207052	3020030080	ROLLER PIN	ROLLER PIN	1
105	28207067	3020030250	ROLLER PIN	ROLLER PIN	1
106	28209010	3102030307	KEY	KEY	1