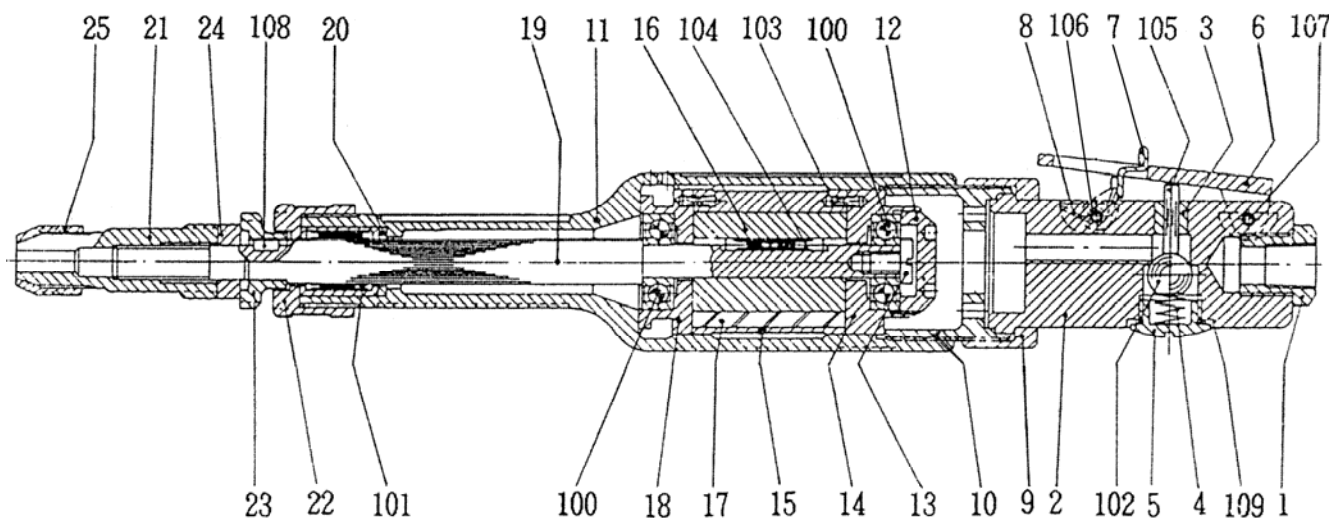


# PARTS LIST

## NHG-65LKLW

501490 (G25W00)

501500 (G25W50) (NPT)



日本ニューマチック工業株式会社  
NIPPON PNEUMATIC MFG.CO.,LTD.

# 新旧対照リスト

## COMPARISON LIST

(1/1)

型式 MODEL: **NHG-65LKLW**

符号	新品番	現状品番			個数
ITEM	NEW PART NO.	CURRENT PART NO.	NEW PART NAME	CURRENT PART NAME	Q'ty
1	15204080	I31000H020	INLET BUSHING	INLET BUSH	1
2	15005500	G40W00H550	HANDLE	HANDLE	1
3	15005480	G40W00H270	THROTTLE BUSH	THROTTLE BUSH	1
4	15102340	D32000B210	THROTTLE SPRING	THROTTLE SPRING	1
5	15005490	G40W00H360	THROTTLE PLUG	THROTTLE PLUG	1
6	15005510	G40W00H880	LEVER	LEVER	1
7	15005520	G40W00Z260	STOPPER	STOPPER	1
8	15008230	G53W10B250	STOPPER SPRING	STOPPER SPRING	1
9	15003560	G24W00Z900	LOCK NUT	LOCK NUT	1
10	15003550	G24W00H050	AIR CONNECTOR	AIR CONNECTOR	1
11	15003380	G23000R730	ROTOR CASE	ROTOR CASE	1
12	15003450	G24000R310	PLATE NUT	TOP PLATE NUT	1
13	15003460	G24000Z910	LOCK SCREW	LOCK SCREW	1
14	15003440	G24000R300	TOP PLATE	TOP PLATE	1
15	15003170	G22000R200	CYLINDER	CYLINDER	1
16	15003210	G22000R720	ROTOR	ROTOR	1
17	15003190	G22000R500	VANE	VANE	4
18	15003200	G22000R510	BOTTOM PLATE	BOTTOM PLATE	1
19	15003390	G23000S320	STONE SPINDLE	STONE SPINDLE	1
20	15003260	G22000S630	BEARING WASHER	BEARING WASHER	1
21	15003240	G22000S310	SPINDLE NUT	SPINDLE CASE NUT	1
22	15003140	G22000K310	STONE FLANGE	STONE FLANGE	1
23	15003430	G24000K190	COLLET WASHER	COLLET WASHER	1
24	15003410	G24000K170	COLLET BODY	COLLET BODY	1
25	15003420	G24000K180	COLLET NUT	COLLET NUT	1
100	28201072	2012000629	BALL BEARING	BALL BEARING	2
101	28203074	2993040002	NEEDLE BEARING	NEEDLE BEARING	1
102	28205051	2800210350	RUBBER BALL	RUBBER BALL	1
103	28206036	3010030090	PIN	PARALLEL PIN	2
104	28207067	3020030250	ROLLER PIN	ROLLER PIN	1
105	28207223	3022040190	ROLLER PIN	ROLLER PIN	1
106	28208061	3030030180	SPRING PIN	SPRING PIN	1
107	25305020	3030030250	SPRING PIN	SPRING PIN	1
108	28209010	3102030307	KEY	KEY	1
109	61200120	4150100120	O RING	O RING	1

日本ニューマチック工業株式会社

NIPPON PNEUMATIC MFG. CO., LTD. NHG-65LKLW\_501490\_G25W00\_020408.xls