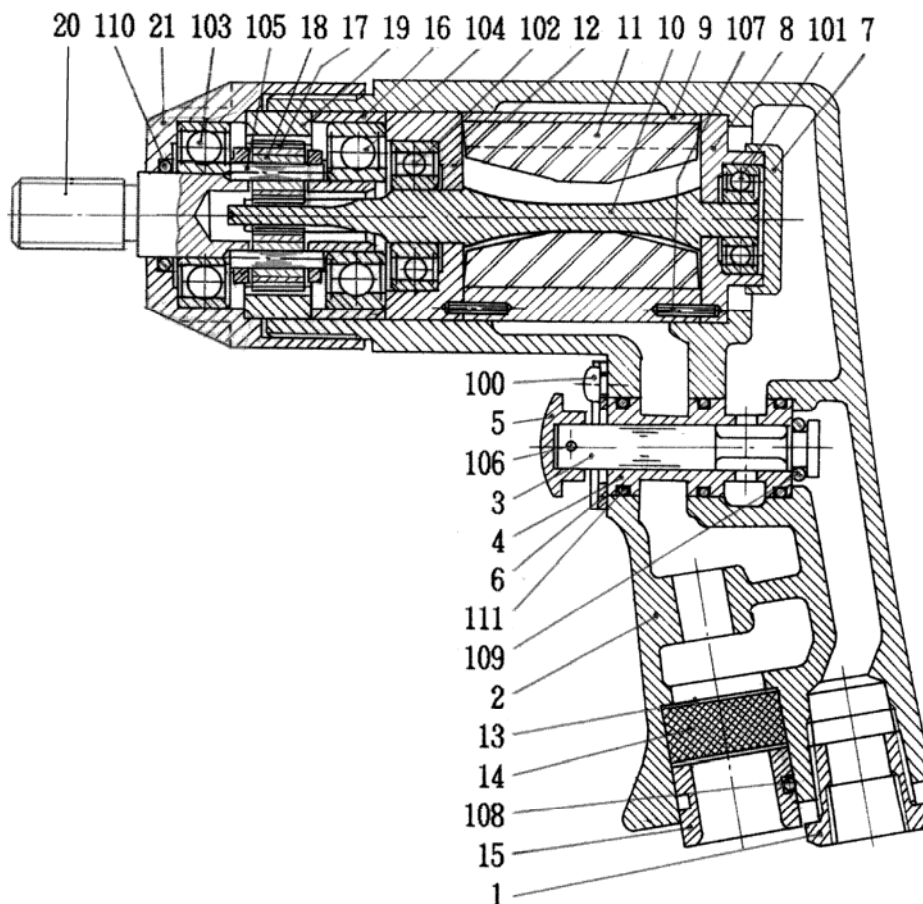


# PARTS LIST

## NRD-10P(T)

510160 (D04A00)

510170 (D04A50) (NPT)



日本ニューマチック工業株式会社  
NIPPON PNEUMATIC MFG.CO.,LTD.

# 新旧対照リスト

## COMPARISON LIST

(1/2)

型式 MODEL: **NRD-10P(T)**

符号 ITEM	新品番 NEW PART NO.	現状品番 CURRENT PART NO.	NEW PART NAME	CURRENT PART NAME
1	15100400	D04000H020	INLET BUSHING	INLET BUSH
2	15100430	D04000H550	HANDLE	HANDLE
3	15100420	D04000H300	THROTTLE VALVE	THROTTLE VALVE
4	15100410	D04000H270	THROTTLE BUSH	THROTTLE BUSH
5	15100440	D04000H880	LEVER	LEVER
6	15100530	D04000Z260	STOPPER	STOPPER
7	15100520	D04000S640	BEARING COVER	BEARING COVER
8	15100460	D04000R300	TOP PLATE	TOP PLATE
9	15100450	D04000R200	CYLINDER	CYLINDER
10	15100480	D04000R720	ROTOR	ROTOR
11	15200280	I02030R500	VANE	VANE
12	15100470	D04000R510	BOTTOM PLATE	BOTTOM PLATE
13	15100150	D02020E450	EXHAUST SCREEN	TOP EXHAUST SCREEN
14	15100160	D02020E700	MUFFLER	MUFFLER
15	15100140	D02020E030	EXHAUST COVER	EXHAUST COVER
16	15100540	D04000Z660	BEARING BUSH	BEARING BUSH
17	15100310	D02020S600	PLANET GEAR	PLANET GEAR
18	15100320	D02020S610	GEAR BUSH	PLANET GEAR BUSH
19	15100490	D04000S030	INTERNAL GEAR	INTERNAL GEAR
20	15100560	D04A00S450	CHUCK SPINDLE	CHUCK SPINDLE
21	15100500	D04000S270	SPINDLE CASE	SPINDLE CASE
100	25113010	1400010406	C-R. PAN HEAD SCREW	C-R. PAN HEAD SCREW
101	28201069	2012000626	BALL BEARING	BALL BEARING
102	28201072	2012000629	BALL BEARING	BALL BEARING
103	28201081	2012006002	BALL BEARING	BALL BEARING
104	28201088	2012006201	BALL BEARING	BALL BEARING
105	28207079	3020032155	ROLLER PIN	ROLLER PIN
106	28208014	3030016120	SPRING PIN	SPRING PIN
107	28208024	3030020100	SPRING PIN	SPRING PIN
108	28208030	3030020200	SPRING PIN	SPRING PIN
109	61200060	4150100060	O RING	O RING
110	61200150	4150100150	O RING	O RING
111	63200140	4154100140	O RING	O RING

新旧対照リスト  
COMPARISON LIST

(2/2)

個数

Q' ty

1  
1  
1  
1  
1  
1  
1  
1  
1  
1  
1  
1  
4  
1  
2  
1  
1  
1  
2  
2  
1  
1  
1  
2  
1  
1  
1  
1  
1  
2  
1  
1  
1  
1  
1  
2  
1  
1  
1  
3