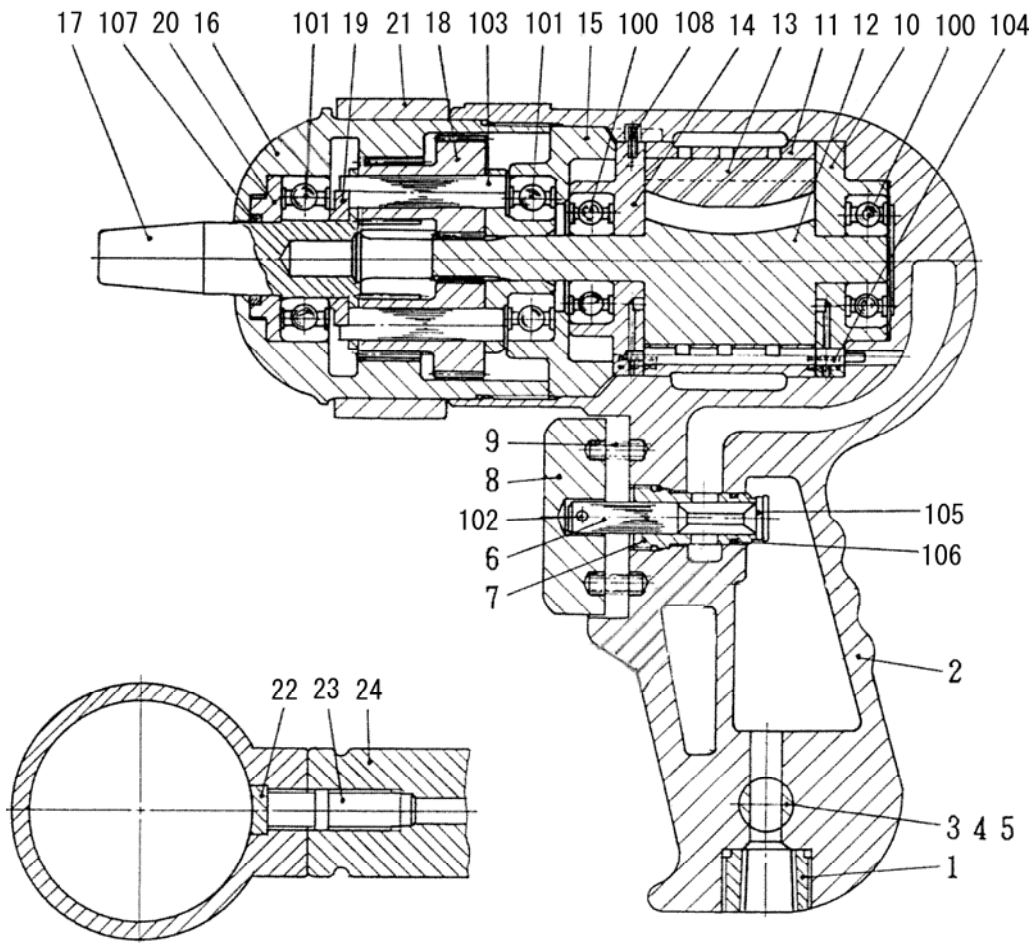


PARTS LIST

NRD-12PA

510181 (D05011)

510191 (D05061) (NPT)



日本ニューマチック工業株式会社
NIPPON PNEUMATIC MFG.CO.,LTD.

新旧対照リスト COMPARISON LIST

(1/1)

型式 MODEL: **NRD-12PA**

符号 ITEM	新品番 NEW PART NO.	現状品番 CURRENT PART NO.	NEW PART NAME	CURRENT PART NAME	個数 Q'ty
1	15204080	I31000H020	INLET BUSHING	INLET BUSH	1
2	15100641	D05011H551	HANDLE	HANDLE	1
3	15100580	D05010G010	ADJUSTER VALVE	ADJUST VALVE	1
4	15100690	D05010P800	RUBBER PACKING	RUBBER PACKING	1
5	15100590	D05010G070	ADJUST NUT	ADJUST NUT	1
6	15100630	D05010H300	THROTTLE VALVE	THROTTLE VALVE	1
7	15100621	D05011H271	THROTTLE BUSH	THROTTLE BUSH	1
8	15100650	D05010H880	LEVER	LEVER	1
9	15100570	D05010B810	RETURN SPRING	RETURN SPRING	2
10	15100710	D05010R300	TOP PLATE	TOP PLATE	1
11	15100700	D05010R200	CYLINDER	CYLINDER	1
12	15100740	D05010R720	ROTOR	ROTOR	1
13	15100720	D05010R500	VANE	VANE	5
14	15100730	D05010R510	BOTTOM PLATE	BOTTOM PLATE	1
15	15100780	D05010S640	BEARING COVER	BEARING COVER	1
16	15100751	D05011S111	GEAR CASE	GEAR CASE	1
17	15100760	D05010S450	CHUCK SPINDLE	CHUCK SPINDLE	1
18	15100770	D05010S600	PLANET GEAR	PLANET GEAR	2
19	15100830	D05010Z950	WASHER	WASHER	1
20	15100660	D05010I200	SPACER	SPACER	1
21	15100680	D05010I600	HOLDER JOINT	HOLDER JOINT	1
22	15100790	D05010Z220	SUPPORTER	SUPPORTER	1
23	15100810	D05010Z360	SET SCREW	SET SCREW	1
24	15100670	D05010I580	HOLDER	HOLDER	1
100	28201080	2012006001	BALL BEARING	BALL BEARING	2
101	28201082	2012006003	BALL BEARING	BALL BEARING	2
102	28206022	3010024130	PIN	PARALLEL PIN	1
103	28299042	3990206002	ROLLER PIN	ROLLER PIN	2
104	28208044	3030025080	SPRING PIN	SPRING PIN	2
105	61200040	4150100040	O RING	O RING	1
106	63910060	4152100060	O RING	O RING	1
107	63910120	4152100120	O RING	O RING	1
108	28208019	3030020050	SPRING PIN	SPRING PIN	1