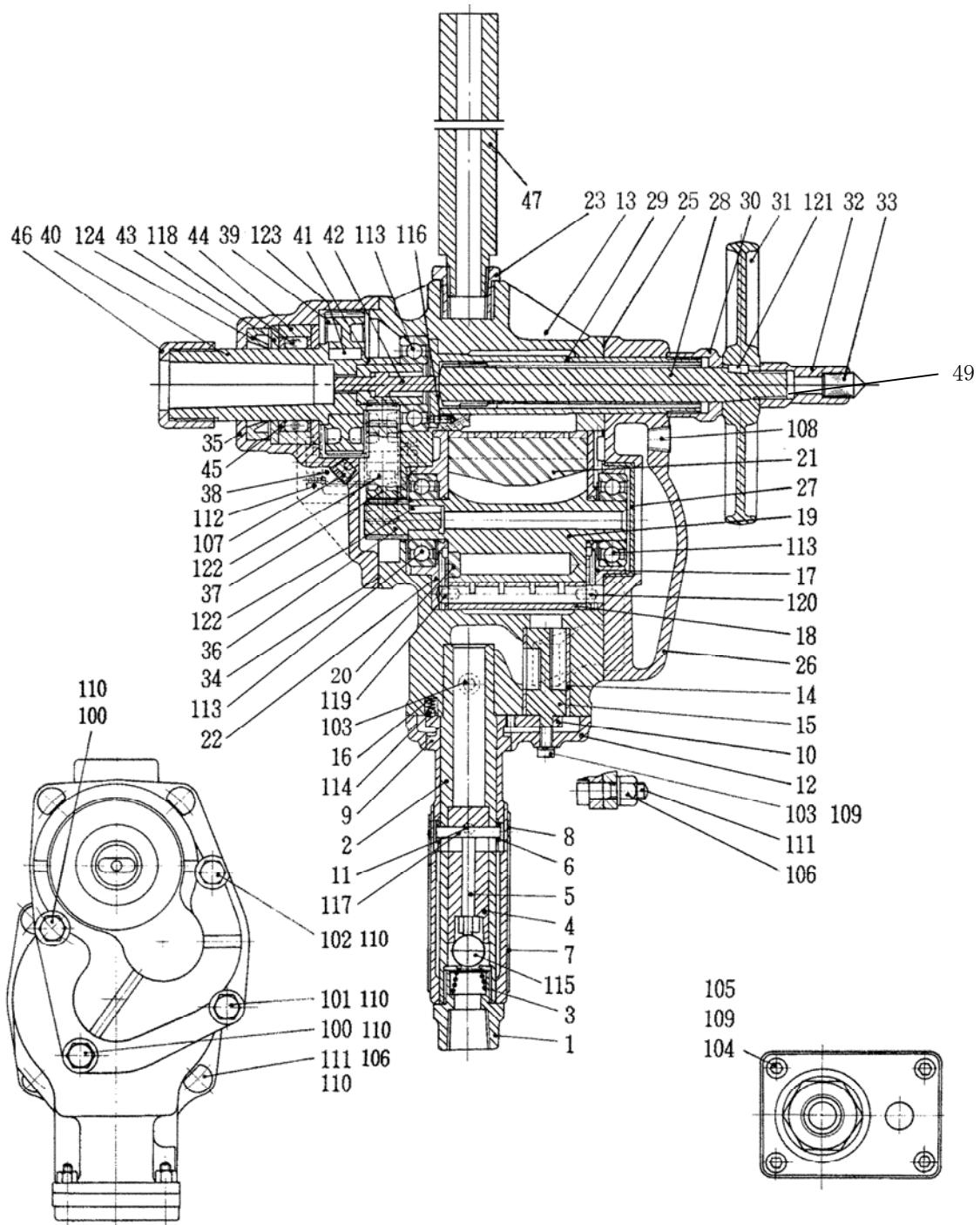


PARTS LIST

NRD-32LR

510500 (D13000)

510510 (D13050) (NPT)



日本ニューマチック工業株式会社
NIPPON PNEUMATIC MFG.CO.,LTD.

新旧対照リスト

COMPARISON LIST

(1/4)

型式 MODEL: **NRD-32LR**

| 符号 | 新品番 | 現状品番 | | | 個数 |
|------|--------------|------------------|-----------------|-------------------|-------|
| ITEM | NEW PART NO. | CURRENT PART NO. | NEW PART NAME | CURRENT PART NAME | Q' ty |
| 1 | 15101440 | D13000H020 | INLET BUSHING | INLET BUSH | 1 |
| 2 | 15101490 | D13000H290 | THROTTLE ARBOR | THROTTLE ARBOR | 1 |
| 3 | 15207150 | I45000B210 | THROTTLE SPRING | THROTTLE SPRING | 1 |
| 4 | 15101480 | D13000H270 | THROTTLE BUSH | THROTTLE BUSH | 1 |
| 5 | 15101500 | D13000H310 | THROTTLE PIN | THROTTLE PIN | 1 |
| 6 | 15101510 | D13000H340 | THROTTLE WASHER | THROTTLE WASHER | 2 |
| 7 | 15101470 | D13000H150 | GRIPE | GRIP | 1 |
| 8 | 15100980 | D09000H160 | GRIP RING | GRIP RING | 1 |
| 9 | 15101750 | D13000S010 | ACCEL GEAR | ACCEL GEAR | 1 |
| 10 | 15101620 | D13000H870 | REVERSE GEAR | REVERSE GEAR | 1 |
| 11 | 15101600 | D13000H830 | REVERSE PIN | REVERSE PIN | 2 |
| 12 | 15101610 | D13000H840 | REVERSE CAP | REVERSE CAP | 1 |
| 13 | 15101890 | D13W00R730 | ROTOR CASE | ROTOR CASE | 1 |
| 14 | 15101590 | D13000H810 | REVERSE BUSH | REVERSE BUSH | 1 |
| 15 | 15101580 | D13000H800 | REVERSE VALVE | REVERSE VALVE | 1 |
| 16 | 15200940 | I07000B800 | SPRING | SPRING | 1 |
| 17 | 15101690 | D13000R300 | TOP PLATE | TOP PLATE | 1 |
| 18 | 15101680 | D13000R200 | CYLINDER | CYLINDER | 1 |
| 19 | 15101720 | D13000R720 | ROTOR | ROTOR | 1 |
| 20 | 15207480 | I45000R750 | ROTOR PLUG | ROTOR PLUG | 6 |

新旧対照リスト

COMPARISON LIST

(2/4)

型式 MODEL: **NRD-32LR**

| 符号 | 新品番 | 現状品番 | | | 個数 |
|------|--------------|------------------|----------------|-------------------|-------|
| ITEM | NEW PART NO. | CURRENT PART NO. | NEW PART NAME | CURRENT PART NAME | Q' ty |
| 21 | 15101700 | D13000R500 | VANE | VANE | 6 |
| 22 | 15101710 | D13000R510 | BOTTOM PLATE | BOTTOM PLATE | 1 |
| 23 | 15207510 | I45000Z370 | SOCKET | SOCKET | 1 |
| 25 | 15101660 | D13000P300 | TOP SEAL | TOP SEAL | 1 |
| 26 | 15101450 | D13000H060 | OIL CASE | OIL CASE | 1 |
| 27 | 15101460 | D13000H070 | OIL BUSH | OIL CASE BUSH | 1 |
| 28 | 15101540 | D13000H610 | FEED SCREW | FEED SCREW | 1 |
| 29 | 15101550 | D13000H620 | FEED SLEEVE | FEED SLEEVE | 1 |
| 30 | 15101570 | D13000H640 | FEED NUT | FEED SCREW NUT | 1 |
| 31 | 15101530 | D13000H600 | FEED HANDLE | FEED HANDLE | 1 |
| 32 | 15101560 | D13000H630 | HANDLE NUT | FEED HANDLE NUT | 1 |
| 33 | 15101520 | D13000H400 | CENTER | CENTER | 1 |
| 34 | 15101670 | D13000P500 | BOTTOM SEAL | BOTTOM SEAL | 1 |
| 35 | 15101780 | D13000S110 | GEAR CASE | GEAR CASE | 1 |
| 36 | 15101740 | D13000R770 | ROTOR GEAR | ROTOR GEAR | 1 |
| 37 | 15101760 | D13000S040 | REDUCTION GEAR | L REDUCTION GEAR | 1 |
| 38 | 15101770 | D13000S050 | REDUCTION GEAR | S REDUCTION GEAR | 1 |
| 39 | 15101790 | D13000S330 | SOCKET GEAR | SOCKET GEAR | 1 |
| 40 | 15101830 | D13000S480 | DRILL SOCKET | DRILL SOCKET | 1 |
| 41 | 15101860 | D13000Z660 | BEARING BUSH | BEARING BUSH | 1 |

新旧対照リスト

COMPARISON LIST

(3/4)

型式 MODEL: **NRD-32LR**

| 符号 | 新品番 | 現状品番 | | | 個数 |
|------|--------------|------------------|------------------|-----------------------|-------|
| ITEM | NEW PART NO. | CURRENT PART NO. | NEW PART NAME | CURRENT PART NAME | Q' ty |
| 42 | 15101820 | D13000S470 | DRILL KEY PIN | DRILL KEY PIN | 1 |
| 43 | 15101810 | D13000S360 | SOCKET WASHER | SOCKET WASHER | 2 |
| 44 | 15101840 | D13000S490 | ROLLER BUSH | TOP ROLLER BUSH | 1 |
| 45 | 15101850 | D13000S810 | BUSH RING | ROTOR BUSH RING | 2 |
| 46 | 15101800 | D13000S340 | SOCKET NUT | SOCKET NUT | 1 |
| 47 | 15101630 | D13000I580 | HOLDER | HOLDER | 1 |
| 48 | 18400541 | 0510000142 | NANE PLATE | NANE PLATE | 1 |
| 49 | 15106690 | | FELT | FELT | 1 |
| 100 | 74008022 | 1050108022 | CAP SCREW | HEX. SOCKET CAP SCREW | 2 |
| 101 | 74008025 | 1050108025 | CAP SCREW | HEX. SOCKET CAP SCREW | 1 |
| 102 | 74008045 | 1050108045 | CAP SCREW | HEX. SOCKET CAP SCREW | 1 |
| 103 | 74006012 | 1050106012 | CAP SCREW | HEX. SOCKET CAP SCREW | 2 |
| 104 | 74006020 | 1050106020 | CAP SCREW | HEX. SOCKET CAP SCREW | 4 |
| 105 | 76111206 | 1204010106 | HEX. NUT | HEX. NUT | 2 |
| 106 | 76111208 | 1204010108 | HEX. NUT | HEX. NUT | 8 |
| 107 | 28100501 | 1700111007 | HEX. SOCKET PLUG | HEX. SOCKET PLUG | 1 |
| 108 | 28100502 | 1700112009 | HEX. SOCKET PLUG | HEX. SOCKET PLUG | 1 |
| 109 | 76420106 | 1954020060 | SPRING WASHER | SPRING WASHER | 3 |
| 110 | 76420108 | 1954020080 | SPRING WASHER | SPRING WASHER | 8 |
| 111 | 28100205 | 1991908006 | SET BOLT | SET BOLT | 6 |

新旧対照リスト COMPARISON LIST

(4/4)

型式 MODEL: **NRD-32LR**

| 符号 ITEM | 新品番 NEW PART NO. | 現状品番 CURRENT PART NO. | NEW PART NAME | CURRENT PART NAME | 個数 Q' ty |
|------------|---------------------|--------------------------|---------------|-------------------|-------------|
| 112 | 28201072 | 2012000629 | BALL BEARING | BALL BEARING | 2 |
| 113 | 28201091 | 2012006204 | BALL BEARING | BALL BEARING | 3 |
| 114 | 28205026 | 2800110175 | STEEL BALL | STEEL BALL | 1 |
| 115 | 28205054 | 2800210500 | RUBBER BALL | RUBBER BALL | 1 |
| 116 | 28206058 | 3010040080 | PIN | PARALLEL PIN | 1 |
| 117 | 28207156 | 3020050340 | ROLLER PIN | ROLLER PIN | 1 |
| 118 | 35100612 | 3020060120 | ROLLER PIN | ROLLER PIN | 21 |
| 119 | 25305050 | 3030040140 | SPRING PIN | SPRING PIN | 1 |
| 120 | 28208103 | 3030040180 | SPRING PIN | SPRING PIN | 1 |
| 121 | 28209017 | 3102040410 | KEY | KEY | 1 |
| 122 | 28209020 | 3102040416 | KEY | KEY | 2 |
| 123 | 28209035 | 3102060616 | KEY | KEY | 1 |
| 124 | 28302030 | 4041355511 | OIL SEAL | OIL SEAL | 1 |
| 125 | 28210005 | 3352013032 | DRIVE SCREW | DRIVE SCREW | 4 |