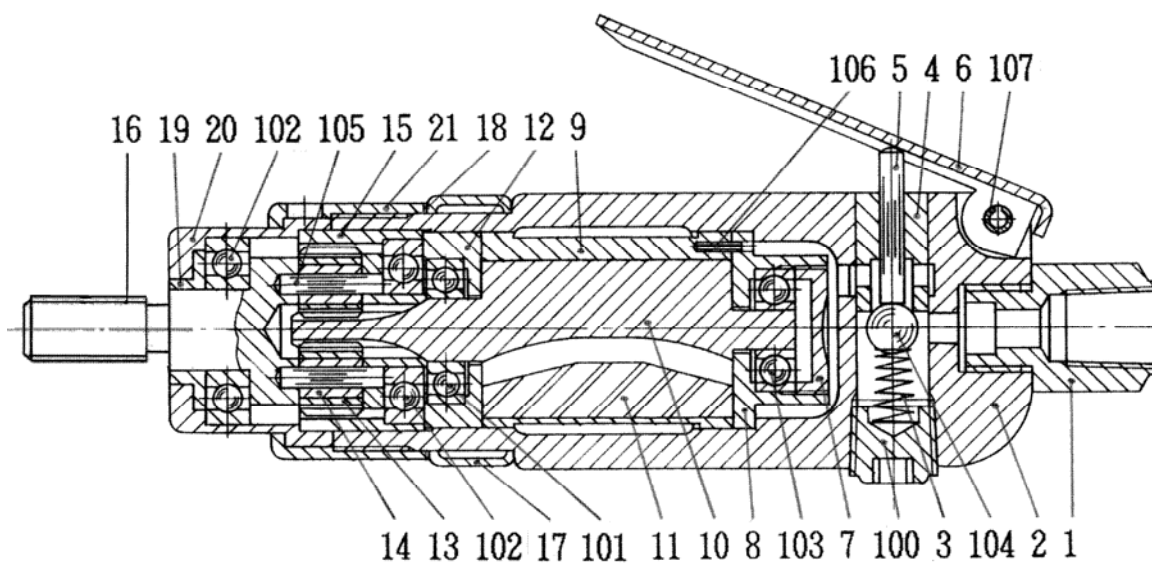


# PARTS LIST

## NRD-6SA(T)

510032 (D01A12)

510042 (D01A62) (NPT)



日本ニューマチック工業株式会社  
NIPPON PNEUMATIC MFG.CO.,LTD.

# 新旧対照リスト

## COMPARISON LIST

(1/1)

型式 MODEL: NRD-6SA(T)

符号 ITEM	新品番 NEW PART NO.	現状品番 CURRENT PART NO.	NEW PART NAME	CURRENT PART NAME	個数 Q'ty
1	17509150	F02000H020	INLET BUSHING	INLET BUSH	1
2	15100050	D01010H550	HANDLE	HANDLE	1
3	15204050	I31000B210	THROTTLE SPRING	THROTTLE SPRING	1
4	15100030	D01010H270	THROTTLE BUSH	THROTTLE BUSH	1
5	15100040	D01010H310	THROTTLE PIN	THROTTLE PIN	1
6	15100060	D01010H880	LEVER	LEVER	1
7	15100080	D01010R310	PLATE NUT	TOP PLATE NUT	1
8	15100071	D01011R301	TOP PLATE	TOP PLATE	1
9	15100220	D02020R200	CYLINDER	CYLINDER	1
10	15100260	D02020R720	ROTOR	ROTOR	1
11	15100240	D02020R500	VANE	VANE	5
12	15100250	D02020R510	BOTTOM PLATE	BOTTOM PLATE	1
13	15100310	D02020S600	PLANET GEAR	PLANET GEAR	2
14	15100320	D02020S610	GEAR BUSH	PLANET GEAR BUSH	2
15	15100270	D02020S030	INTERNAL GEAR	INTERNAL GEAR	1
16	15100330	D02A20S450	CHUCK SPINDLE	CHUCK SPINDLE	1
17	15100010	D01010E030	EXHAUST COVER	EXHAUST COVER	1
18	15100120	D01010Z260	STOPPER	STOPPER	1
19	15100280	D02020S260	SEAL RING	SEAL RING	1
20	15100100	D01010S270	SPINDLE CASE	SPINDLE CASE	1
21	15100110	D01010S310	SPINDLE NUT	SPINDLE CASE NUT	1
100	28100351	1997001006	HEX. SOCKET PLUG	HEX. SOCKET PLUG	1
101	28201023	2010000003	BALL BEARING	BALL BEARING	1
102	28201024	2010000004	BALL BEARING	BALL BEARING	2
103	28201069	2012000626	BALL BEARING	BALL BEARING	1
104	28205048	2800210250	RUBBER BALL	RUBBER BALL	1
105	28207080	3020032190	ROLLER PIN	ROLLER PIN	2
106	28208013	3030016080	SPRING PIN	SPRING PIN	1
107	28208064	3030030220	SPRING PIN	SPRING PIN	1