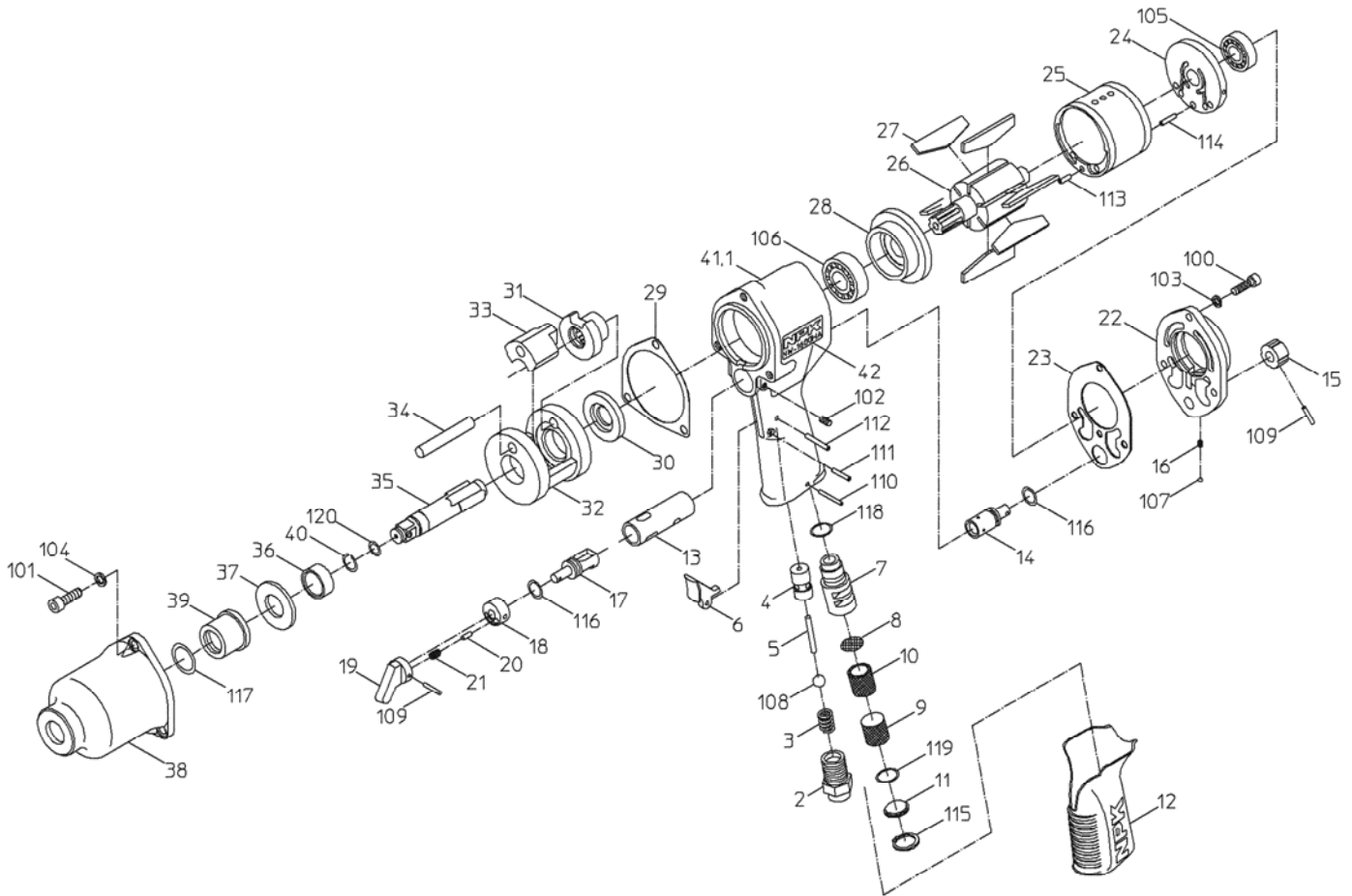


PARTS LIST

NW-1600HA(R)

521970 (I47010)

521990 (I47060) (NPT)



日本ニューマチック工業株式会社
NIPPON PNEUMATIC MFG.CO.,LTD.

新旧対照リスト

COMPARISON LIST

(1/2)

型式 MODEL: **NW-1600HA (R)**

符号	新品番	現状品番			個数
ITEM	NEW PART NO.	CURRENT PART NO.	NEW PART NAME	CURRENT PART NAME	Q'ty
1	15207800	I47010H550	HANDLE	HANDLE	1
2	15205580	I37010H020	INLET BUSHING	INLET BUSH	1
3	15205550	I37010B210	THROTTLE SPRING	THROTTLE SPRING	1
4	15205590	I37010H270	THROTTLE BUSH	THROTTLE BUSH	1
5	15205080	I36010H310	THROTTLE PIN	THROTTLE PIN	1
6	15304350	T54000H880	LEVER	LEVER	1
7	15210230	I67010E030	EXHAUST COVER	EXHAUST COVER	1
8	15210390	I67010Z630	FILTER	FILTER	1
9	15210380	I67010Y370	SCREEN	SCREEN	1
10	15210250	I67010E700	MUFFLER	MUFFLER	1
11	15210240	I67010E170	EXHAUST WASHER	EXHAUST WASHER	1
12	15210280	I67010H150	GRIPE	GRIP	1
13	15207820	I47010H810	REVERSE BUSH	REVERSE BUSH	1
14	15210260	I67010G010	ADJUSTER VALVE	ADJUST VALVE	1
15	15210270	I67010G040	ADJUSTER LEVER	ADJUST LEVER	1
16	15205040	I36010B800	SPRING	SPRING	1
17	15304330	T54000H800	REVERSE VALVE	REVERSE VALVE	1
18	15303560	T51010H860	REVERSE WASHER	REVERSE WASHER	1
19	15303540	T51010H820	REVERSE LEVER	REVERSE LEVER	1
20	15303550	T51010H830	REVERSE PIN	REVERSE PIN	1
21	15303430	T51010B800	SPRING	SPRING	1
22	15207810	I47010H560	HANDLE CAP	HANDLE CAP	1
23	15207840	I47010P300	TOP SEAL	TOP SEAL	1
24	15207860	I47010R300	TOP PLATE	TOP PLATE	1
25	15207770	I47000R200	CYLINDER	CYLINDER	1
26	15205321	I36011R721	ROTOR	ROTOR	1
27	15205300	I36010R500	VANE	VANE	6
28	15207870	I47010R510	BOTTOM PLATE	BOTTOM PLATE	1
29	15207850	I47010P500	BOTTOM SEAL	BOTTOM SEAL	1
30	15205170	I36010I200	SPACER	SPACER	1
31	15205190	I36010I300	SCREW DRIVER	DRIVER	1
32	15205240	I36010I490	HAMMER FRAME	HAMMER FRAME	1
33	15207740	I47000I470	HAMMER	HAMMER	1
34	15205230	I36010I480	HAMMER PIN	HAMMER PIN	1
35	15205160	I36010I050	ANVIL	ANVIL	1
36	15205150	I36010I010	ANVIL BUSH	ANVIL BUSH	1
37	15205180	I36010I210	THRUST WASHER	THRUST WASHER	1

日本ニューマチック工業株式会社

NIPPON PNEUMATIC MFG. CO., LTD. NW-1600HA(R)_521970_I47010_020508.xls

新旧対照リスト

COMPARISON LIST

(2/2)

型式 MODEL: **NW-1600HA (R)**

符号 ITEM	新品番 NEW PART NO.	現状品番 CURRENT PART NO.	NEW PART NAME	CURRENT PART NAME	個数 Q'ty
38	15207830	I47010I450	HAMMER CASE	HAMMER CASE	1
39	15207730	I47000I460	CASE BUSH	CASE BUSH	1
40	15205330	I36010Z340	STOPPER RING	STOPPER RING	1
41	18400385	0500000397	NAME PLATE	NAME PLATE	1
42	18400412	0500000424	NAME PLATE	NAME PLATE	1
100	74005018	1050105018	CAP SCREW	HEX. SOCKET CAP SCREW	3
101	74006020	1050106020	CAP SCREW	HEX. SOCKET CAP SCREW	3
102	28100457	1602010408	SET SCREW	HEX. SOCKET SET SCREW	1
103	76420105	1954020050	SPRING WASHER	SPRING WASHER	3
104	28100525	1954040020	SPRING WASHER	SPRING WASHER	3
105	28201080	2012006001	BALL BEARING	BALL BEARING	1
106	28201089	2012006202	BALL BEARING	BALL BEARING	1
107	25502120	2800110125	STEEL BALL	STEEL BALL	1
108	28205051	2800210350	RUBBER BALL	RUBBER BALL	1
109	28208048	3030025160	SPRING PIN	SPRING PIN	2
110	28208051	3030025220	SPRING PIN	SPRING PIN	1
111	28208060	3030030160	SPRING PIN	SPRING PIN	1
112	28208064	3030030220	SPRING PIN	SPRING PIN	1
113	25305030	3030040100	SPRING PIN	SPRING PIN	1
114	25305050	3030040140	SPRING PIN	SPRING PIN	1
115	25307190	3200020180	RETAINING RING	RETAINING RING	1
116	61200100	4150100100	O RING	O RING	2
117	61200180	4150100180	O RING	O RING	1
118	63200125	4154100125	O RING	O RING	1
119	63200150	4154100150	O RING	O RING	1
120	63910060	4152100060	O RING	O RING	1