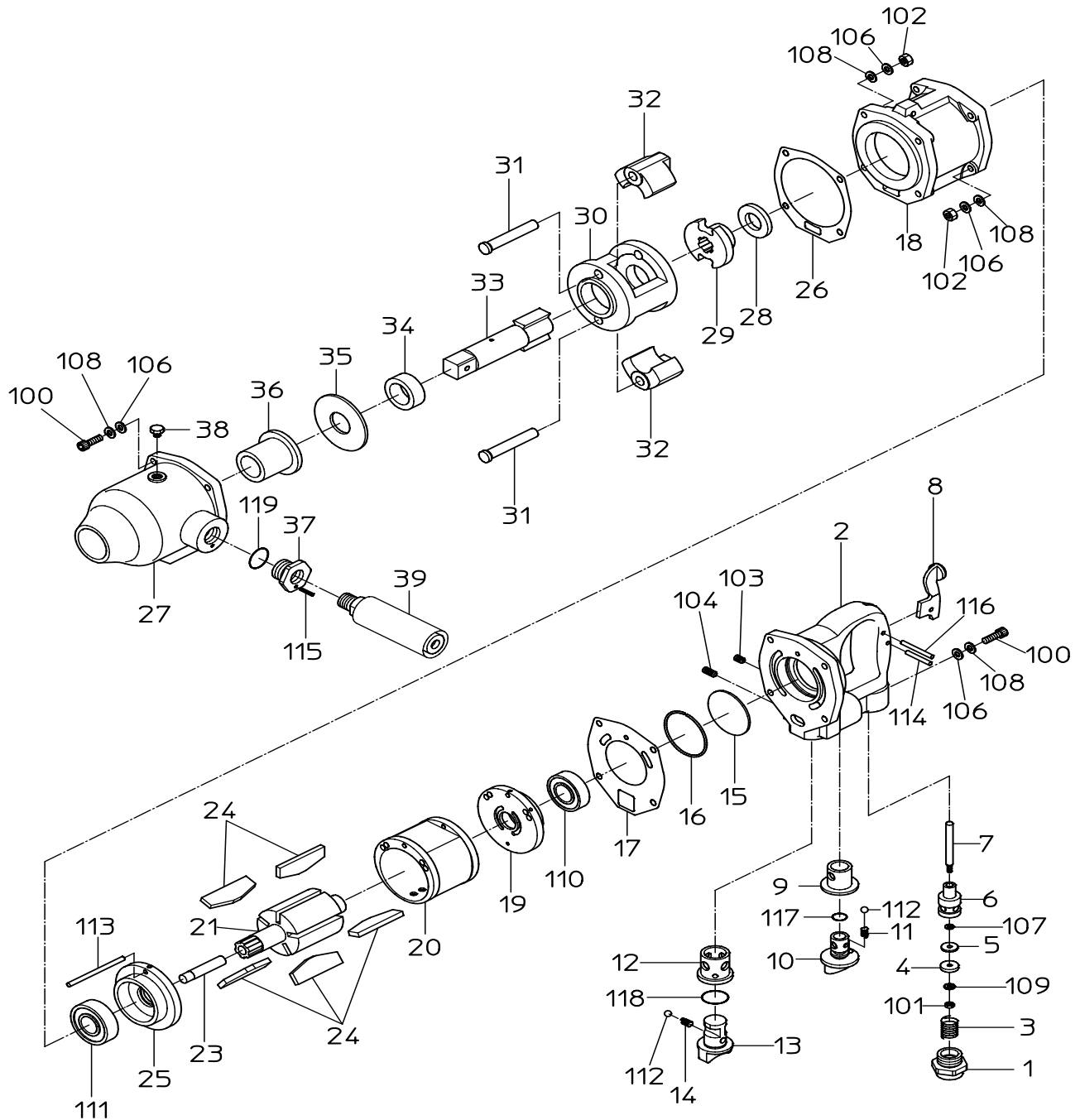


# PARTS LIST

## NW-19A

520351 (I12011)

520361 (I12061) (NPT)



日本ニューマチック工業株式会社  
NIPPON PNEUMATIC MFG.CO.,LTD.

# 新旧対照リスト

## COMPARISON LIST

(1/2)

型式 MODEL: **NW-19A**

符号	新品番	現状品番			個数
ITEM	NEW PART NO.	CURRENT PART NO.	NEW PART NAME	CURRENT PART NAME	Q'ty
1	15202170	I12010H020	INLET BUSHING	INLET BUSH	1
2	15202210	I12010H550	HANDLE	HANDLE	1
3	15202130	I12010B210	THROTTLE SPRING	THROTTLE SPRING	1
4	15202200	I12010H340	THROTTLE WASHER	THROTTLE WASHER	1
5	15202490	I12010V420	VALVE SHEET	VALVE SEAT	1
6	15202180	I12010H270	THROTTLE BUSH	THROTTLE BUSH	1
7	15202190	I12010H310	THROTTLE PIN	THROTTLE PIN	1
8	15202250	I12010H880	LEVER	LEVER	1
9	15202160	I12010G020	ADJUSTER BUSHING	ADJUST BUSH	1
10	15202150	I12010G010	ADJUSTER VALVE	ADJUST VALVE	1
11	15202120	I12010B010	SPRING	SPRING	1
12	15202240	I12010H810	REVERSE BUSH	REVERSE BUSH	1
13	15202230	I12010H800	REVERSE VALVE	REVERSE VALVE	1
14	15202120	I12010B010	SPRING	SPRING	1
15	15202220	I12010H570	HANDLE PLATE	HANDLE PLATE	1
16	15202500	I12010Z340	STOPPER RING	STOPPER RING	1
17	15202390	I12010P300	TOP SEAL	TOP SEAL	1
18	15202460	I12010R730	ROTOR CASE	ROTOR CASE	1
19	15202420	I12010R300	TOP PLATE	TOP PLATE	1
20	15202410	I12010R200	CYLINDER	CYLINDER	1
21	15202451	I12011R721	ROTOR	ROTOR	1
23	15202480	I12010R760	ROTOR PIN	ROTOR PIN	1
24	15202430	I12010R500	VANE	VANE	5
25	15202440	I12010R510	BOTTOM PLATE	BOTTOM PLATE	1
26	15202400	I12010P500	BOTTOM SEAL	BOTTOM SEAL	1
27	15202310	I12010I450	HAMMER CASE	HAMMER CASE	1
28	15202280	I12010I200	SPACER	SPACER	1
29	15202300	I12010I300	SCREW DRIVER	DRIVER	1
30	15202350	I12010I490	HAMMER FRAME	HAMMER FRAME	1
31	15202340	I12010I480	HAMMER PIN	HAMMER PIN	2
32	15202330	I12010I470	HAMMER	HAMMER	2
33	15202270	I12010I050	ANVIL	ANVIL	1
34	15202260	I12010I010	ANVIL BUSH	ANVIL BUSH	1
35	15202290	I12010I210	THRUST WASHER	THRUST WASHER	1
36	15202320	I12010I460	CASE BUSH	CASE BUSH	1
37	15202380	I12010I610	HOLDER SOCKET	HOLDER SOCKET	1
38	15200980	I07000H080	OIL PLUG	OIL PLUG	1
39	15202360	I12010I580	HOLDER	HOLDER	1

# 新旧対照リスト

## COMPARISON LIST

(2/2)

型式 MODEL: **NW-19A**

符号	新品番	現状品番			個数
ITEM	NEW PART NO.	CURRENT PART NO.	NEW PART NAME	CURRENT PART NAME	Q'ty
100	74006035	1050106035	CAP SCREW	HEX. SOCKET CAP SCREW	8
101	76121204	1204020104	HEX. NUT	HEX. NUT	1
102	25122010	1350050106	NYLON-HEX. NUT	NYLON-HEX. NUT	8
103	28100465	1602010612	SET SCREW	HEX. SOCKET SET SCREW	1
104	28100468	1602010620	SET SCREW	HEX. SOCKET SET SCREW	1
106	76310206	1951010060	WASHER	PLAIN WASHER	16
107	76323204	1951020040	WASHER	PLAIN WASHER	1
108	76420106	1954020060	SPRING WASHER	SPRING WASHER	16
109	28100548	1957010040	LOCK WASHER	TOOTHED LOCK WASHER	1
110	28201083	2012006004	BALL BEARING	BALL BEARING	1
111	28201091	2012006204	BALL BEARING	BALL BEARING	1
112	28205026	2800110175	STEEL BALL	STEEL BALL	2
113	28206113	3011040860	PIN	PARALLEL PIN	1
114	28207110	3020040180	ROLLER PIN	ROLLER PIN	1
115	25305550	3030030100	SPRING PIN	SPRING PIN	1
116	28208107	3030040250	SPRING PIN	SPRING PIN	1
117	61200120	4150100120	O RING	O RING	1
118	61200200	4150100200	O RING	O RING	1
119	63200050	4154100050	O RING	O RING	1