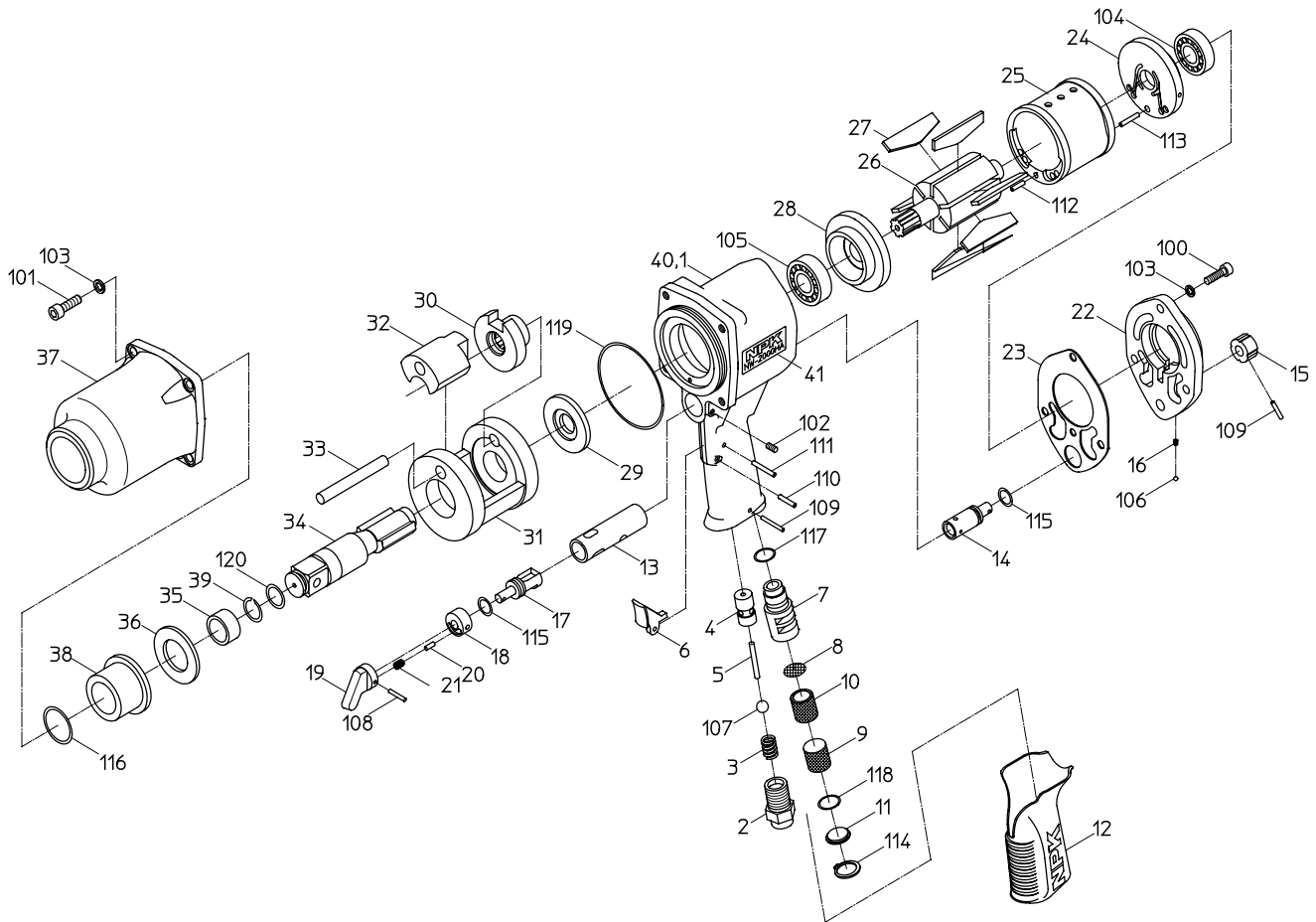


# PARTS LIST

## NW-2000HA

522490 (I58010)

522510 (I58060) (NPT)



日本ニューマチック工業株式会社  
NIPPON PNEUMATIC MFG.CO.,LTD.

# 新旧対照リスト

## COMPARISON LIST

(1/2)

型式 MODEL: **NW-2000HA**

符号 ITEM	新品番 NEW PART NO.	現状品番 CURRENT PART NO.	NEW PART NAME	CURRENT PART NAME	個数 Q'ty
1	15209000	I58010H550	HANDLE	HANDLE	1
2	15205580	I37010H020	INLET BUSHING	INLET BUSH	1
3	15205550	I37010B210	THROTTLE SPRING	THROTTLE SPRING	1
4	15205590	I37010H270	THROTTLE BUSH	THROTTLE BUSH	1
5	15205080	I36010H310	THROTTLE PIN	THROTTLE PIN	1
6	15304350	T54000H880	LEVER	LEVER	1
7	15208980	I58010E030	EXHAUST COVER	EXHAUST COVER	1
8	15210390	I67010Z630	FILTER	FILTER	1
9	15210380	I67010Y370	SCREEN	SCREEN	1
10	15210250	I67010E700	MUFFLER	MUFFLER	1
11	15210240	I67010E170	EXHAUST WASHER	EXHAUST WASHER	1
12	15210280	I67010H150	GRIPE	GRIP	1
13	15209020	I58010H810	REVERSE BUSH	REVERSE BUSH	1
14	15208990	I58010G010	ADJUSTER VALVE	ADJUST VALVE	1
15	15210270	I67010G040	ADJUSTER LEVER	ADJUST LEVER	1
16	15205040	I36010B800	SPRING	SPRING	1
17	15304330	T54000H800	REVERSE VALVE	REVERSE VALVE	1
18	15303560	T51010H860	REVERSE WASHER	REVERSE WASHER	1
19	15303540	T51010H820	REVERSE LEVER	REVERSE LEVER	1
20	15303550	T51010H830	REVERSE PIN	REVERSE PIN	1
21	15303430	T51010B800	SPRING	SPRING	1
22	15209010	I58010H560	HANDLE CAP	HANDLE CAP	1
23	15209050	I58010P300	TOP SEAL	TOP SEAL	1
24	15209060	I58010R300	TOP PLATE	TOP PLATE	1
25	15205770	I37010R200	CYLINDER	CYLINDER	1
26	15205811	I37011R721	ROTOR	ROTOR	1
27	15205790	I37010R500	VANE	VANE	6
28	15209070	I58010R510	BOTTOM PLATE	BOTTOM PLATE	1
29	15205660	I37010I200	SPACER	SPACER	1
30	15205680	I37010I300	SCREW DRIVER	DRIVER	1
31	15205730	I37010I490	HAMMER FRAME	HAMMER FRAME	1
32	15205710	I37010I470	HAMMER	HAMMER	1
33	15205720	I37010I480	HAMMER PIN	HAMMER PIN	1
34	15208920	I58000I050	ANVIL	ANVIL	1
35	15205640	I37010I010	ANVIL BUSH	ANVIL BUSH	1
36	15205670	I37010I210	THRUST WASHER	THRUST WASHER	1
37	15209030	I58010I450	HAMMER CASE	HAMMER CASE	1

# 新旧対照リスト COMPARISON LIST

(2/2)

型式 MODEL: **NW-2000HA**

符号 ITEM	新品番 NEW PART NO.	現状品番 CURRENT PART NO.	NEW PART NAME	CURRENT PART NAME	個数 Q'ty
38	15209040	I58010I460	CASE BUSH	CASE BUSH	1
39	15208970	I58000Z340	STOPPER RING	STOPPER RING	1
40	18400385	0500000397	NAME PLATE	NAME PLATE	1
41	18400412	0500000424	NAME PLATE	NAME PLATE	1
100	74006018	1050106018	CAP SCREW	HEX. SOCKET CAP SCREW	3
101	74006022	1050106022	CAP SCREW	HEX. SOCKET CAP SCREW	4
102	28100457	1602010408	SET SCREW	HEX. SOCKET SET SCREW	1
103	28100525	1954040020	SPRING WASHER	SPRING WASHER	7
104	28201081	2012006002	BALL BEARING	BALL BEARING	1
105	28201089	2012006202	BALL BEARING	BALL BEARING	1
106	25502120	2800110125	STEEL BALL	STEEL BALL	1
107	28205051	2800210350	RUBBER BALL	RUBBER BALL	1
108	28208048	3030025160	SPRING PIN	SPRING PIN	2
109	28208051	3030025220	SPRING PIN	SPRING PIN	1
110	28208060	3030030160	SPRING PIN	SPRING PIN	1
111	28208064	3030030220	SPRING PIN	SPRING PIN	1
112	25305040	3030040120	SPRING PIN	SPRING PIN	1
113	28208103	3030040180	SPRING PIN	SPRING PIN	1
114	25307190	3200020180	RETAINING RING	RETAINING RING	1
115	61200100	4150100100	O RING	O RING	2
116	61200250	4150100250	O RING	O RING	1
117	28399074	4158101012	O RING	O RING	1
118	63200150	4154100150	O RING	O RING	1
119	63200650	4154100650	O RING	O RING	1
120	63910090	4152100090	O RING	O RING	1