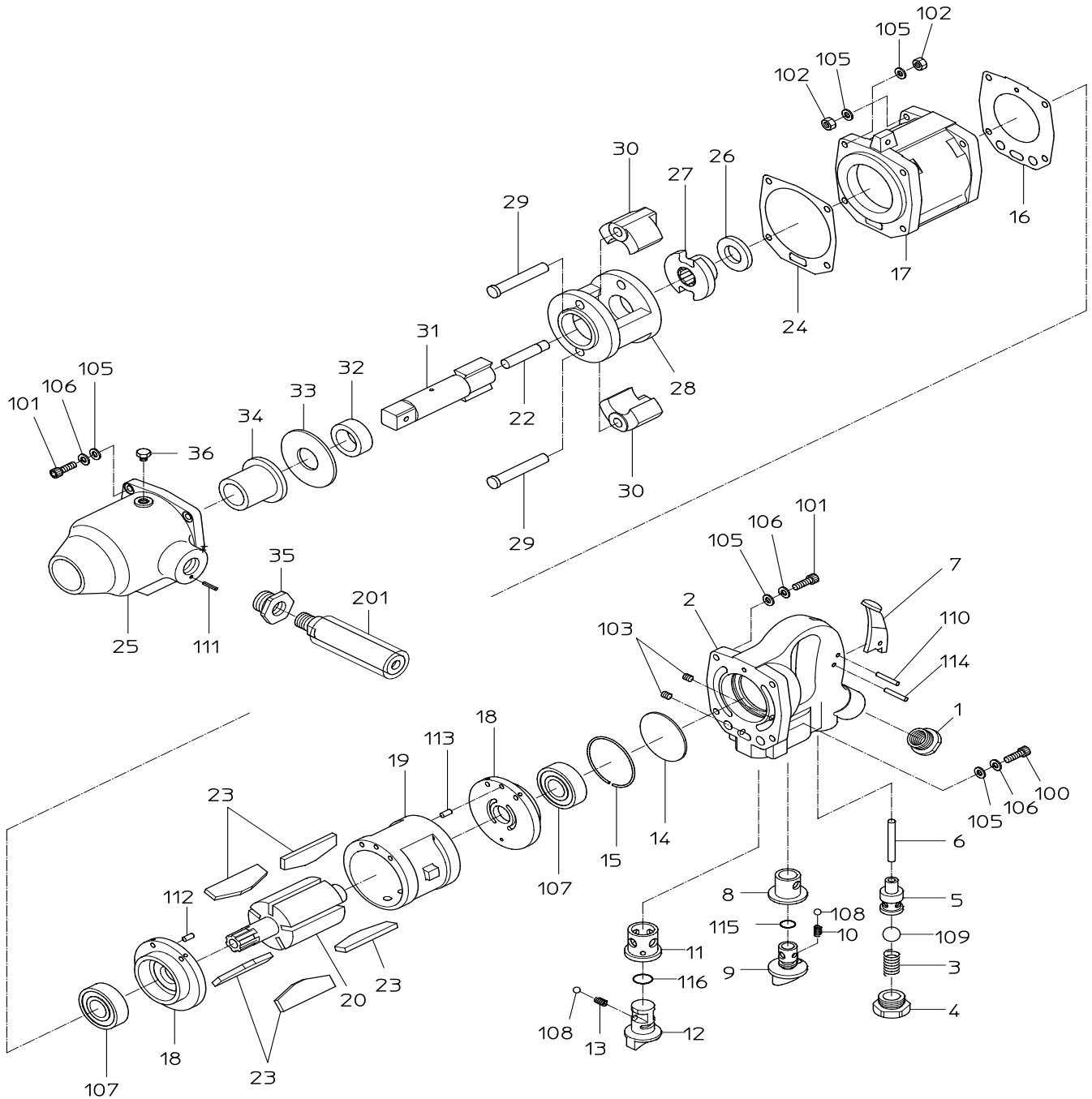


PARTS LIST

NW-22A

520380 (I13010)

520390 (I13060) (NPT)



日本ニューマチック工業株式会社
NIPPON PNEUMATIC MFG.CO.,LTD.

新旧対照リスト COMPARISON LIST

(1/2)

型式 MODEL: **NW-22A**

符号 ITEM	新品番 NEW PART NO.	現状品番 CURRENT PART NO.	NEW PART NAME	CURRENT PART NAME	個数 Q'ty
1	15210840	I70010H020	INLET BUSHING	INLET BUSH	1
2	15202610	I13010H550	HANDLE	HANDLE	1
3	15206430	I42000B210	THROTTLE SPRING	THROTTLE SPRING	1
4	15206450	I42000H360	THROTTLE PLUG	THROTTLE PLUG	1
5	15202590	I13010H270	THROTTLE BUSH	THROTTLE BUSH	1
6	15202600	I13010H310	THROTTLE PIN	THROTTLE PIN	1
7	15202630	I13010H880	LEVER	LEVER	1
8	15202160	I12010G020	ADJUSTER BUSHING	ADJUST BUSH	1
9	15202150	I12010G010	ADJUSTER VALVE	ADJUST VALVE	1
10	15202120	I12010B010	SPRING	SPRING	1
11	15202240	I12010H810	REVERSE BUSH	REVERSE BUSH	1
12	15202230	I12010H800	REVERSE VALVE	REVERSE VALVE	1
13	15202120	I12010B010	SPRING	SPRING	1
14	15202620	I13010H570	HANDLE PLATE	HANDLE PLATE	1
15	15202700	I13010Z340	STOPPER RING	STOPPER RING	1
16	15202640	I13010P300	TOP SEAL	TOP SEAL	1
17	15202690	I13010R730	ROTOR CASE	ROTOR CASE	1
18	15202650	I13010R010	END PLATE	END PLATE	2
19	15202660	I13010R200	CYLINDER	CYLINDER	1
20	15202680	I13010R720	ROTOR	ROTOR	1
22	15202480	I12010R760	ROTOR PIN	ROTOR PIN	1
23	15202670	I13010R500	VANE	VANE	5
24	15202400	I12010P500	BOTTOM SEAL	BOTTOM SEAL	1
25	15202310	I12010I450	HAMMER CASE	HAMMER CASE	1
26	15202280	I12010I200	SPACER	SPACER	1
27	15202300	I12010I300	SCREW DRIVER	DRIVER	1
28	15202350	I12010I490	HAMMER FRAME	HAMMER FRAME	1
29	15202340	I12010I480	HAMMER PIN	HAMMER PIN	2
30	15202330	I12010I470	HAMMER	HAMMER	2
31	15202270	I12010I050	ANVIL	ANVIL	1
32	15202260	I12010I010	ANVIL BUSH	ANVIL BUSH	1
33	15202290	I12010I210	THRUST WASHER	THRUST WASHER	1
34	15202320	I12010I460	CASE BUSH	CASE BUSH	1
35	15202380	I12010I610	HOLDER SOCKET	HOLDER SOCKET	1
36	15200980	I07000H080	OIL PLUG	OIL PLUG	1

新旧対照リスト

COMPARISON LIST

(2/2)

型式 MODEL: **NW-22A**

符号 ITEM	新品番 NEW PART NO.	現状品番 CURRENT PART NO.	NEW PART NAME	CURRENT PART NAME	個数 Q'ty
100	74006025	1050106025	CAP SCREW	HEX. SOCKET CAP SCREW	2
101	74006035	1050106035	CAP SCREW	HEX. SOCKET CAP SCREW	6
102	25122010	1350050106	NYLON-HEX. NUT	NYLON-HEX. NUT	6
103	28100465	1602010612	SET SCREW	HEX. SOCKET SET SCREW	2
105	76310206	1951010060	WASHER	PLAIN WASHER	14
106	76420106	1954020060	SPRING WASHER	SPRING WASHER	8
107	28201091	2012006204	BALL BEARING	BALL BEARING	2
108	28205026	2800110175	STEEL BALL	STEEL BALL	2
109	28205054	2800210500	RUBBER BALL	RUBBER BALL	1
110	28207112	3020040210	ROLLER PIN	ROLLER PIN	1
111	25305550	3030030100	SPRING PIN	SPRING PIN	1
112	25305050	3030040140	SPRING PIN	SPRING PIN	1
113	28208103	3030040180	SPRING PIN	SPRING PIN	1
114	28208107	3030040250	SPRING PIN	SPRING PIN	1
115	61200120	4150100120	O RING	O RING	1
116	61200200	4150100200	O RING	O RING	1
117	63200050	4154100050	O RING	O RING	1
201	15202360	I12010I580	HOLDER	HOLDER	1