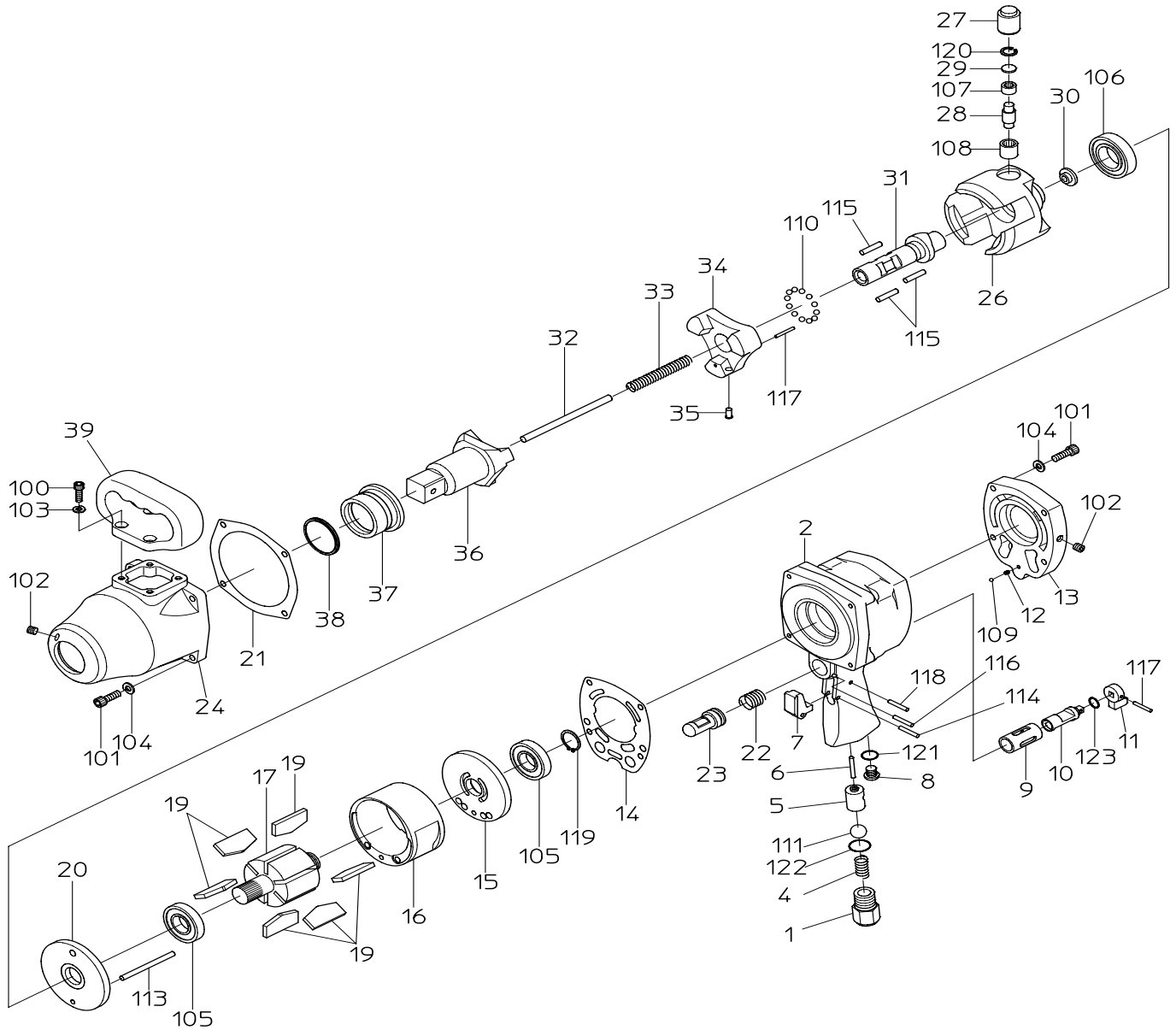


PARTS LIST

NWH-320P

523050 (I71000)

523060 (I71050) (NPT)



日本ニューマチック工業株式会社
NIPPON PNEUMATIC MFG.CO.,LTD.

新旧対照リスト COMPARISON LIST

(1/2)

型式 MODEL: NWH-320P

符号 ITEM	新品番 NEW PART NO.	現状品番 CURRENT PART NO.	NEW PART NAME	CURRENT PART NAME	個数 Q'ty
1	15206760	I43000H020	INLET BUSHING	INLET BUSH	1
2	15211270	I71000H550	HANDLE	HANDLE	1
4	15202720	I14010B210	THROTTLE SPRING	THROTTLE SPRING	1
5	15206770	I43000H270	THROTTLE BUSH	THROTTLE BUSH	1
6	15206780	I43000H310	THROTTLE PIN	THROTTLE PIN	1
7	15206820	I43000H880	LEVER	LEVER	1
8	15206330	I41000H080	OIL PLUG	OIL PLUG	1
9	15210900	I70010H810	REVERSE BUSH	REVERSE BUSH	1
10	15210890	I70010H800	REVERSE VALVE	REVERSE VALVE	1
11	15210910	I70010H820	REVERSE LEVER	REVERSE LEVER	1
12	15205040	I36010B800	SPRING	SPRING	1
13	15211280	I71000H560	HANDLE CAP	HANDLE CAP	1
14	15211030	I70010P300	TOP SEAL	TOP SEAL	1
15	15211060	I70010R300	TOP PLATE	TOP PLATE	1
16	15211050	I70010R200	CYLINDER	CYLINDER	1
17	15211090	I70010R720	ROTOR	ROTOR	1
18	15211110	I70010R750	ROTOR PLUG	ROTOR PLUG	6
19	15211070	I70010R500	VANE	VANE	6
20	15211080	I70010R510	BOTTOM PLATE	BOTTOM PLATE	1
21	15211040	I70010P500	BOTTOM SEAL	BOTTOM SEAL	1
22	15210780	I70010B030	SPRING	EXHAUST COVER SPRING	1
23	15210810	I70010E030	EXHAUST COVER	EXHAUST COVER	1
24	15210980	I70010I450	HAMMER CASE	HAMMER CASE	1
26	15211000	I70010I470	HAMMER	HAMMER	1
27	15211160	I70010Z660	BEARING BUSH	BEARING BUSH	1
28	15210940	I70010I100	CAM ROLLER	CAM ROLLER	1
29	15211150	I70010Z610	PUSH PLATE	PUSH PLATE	1
30	15210960	I70010I210	THRUST WASHER	THRUST WASHER	1
31	15210950	I70010I110	CAM SHAFT	CAM SHAFT	1
32	15211120	I70010R760	ROTOR PIN	ROTOR PIN	1
33	15210800	I70010B580	PUSH SPRING	PUSH SPRING	1
34	15210970	I70010I220	SPINDLE CLUTCH	SPINDLE CLUTCH	1
35	15211140	I70010Z250	STOPPER PIN	STOPPER PIN	1
36	15210930	I70010I050	ANVIL	ANVIL	1
37	15210990	I70010I460	CASE BUSH	CASE BUSH	1
38	15211170	I70010Z850	RUBBER RING	RUBBER RING	1
39	15211010	I70010I580	HOLDER	HOLDER	1

新旧対照リスト

COMPARISON LIST

(2/2)

型式 MODEL: NWH-320P

符号	新品番	現状品番			個数
ITEM	NEW PART NO.	CURRENT PART NO.	NEW PART NAME	CURRENT PART NAME	Q'ty
100	74006016	1050106016	CAP SCREW	HEX. SOCKET CAP SCREW	4
101	28100362	1051420032	CAP SCREW	HEX. SOCKET CAP SCREW	8
102	28100501	1700111007	HEX. SOCKET PLUG	HEX. SOCKET PLUG	1
103	76420106	1954020060	SPRING WASHER	SPRING WASHER	4
104	28100526	1954060020	SPRING WASHER	SPRING WASHER	8
105	28201027	2010000008	BALL BEARING	BALL BEARING	2
106	28201028	2010000010	BALL BEARING	BALL BEARING	1
107	28203026	2305101410	NEEDLE BEARING	NEEDLE BEARING	1
108	28203030	2305131813	NEEDLE BEARING	NEEDLE BEARING	1
109	25502120	2800110125	STEEL BALL	STEEL BALL	1
110	28205026	2800110175	STEEL BALL	STEEL BALL	12
111	28205061	2800410500	STAINLESS BALL	STAINLESS BALL	1
112	28208061	3030030180	SPRING PIN	SPRING PIN	1
113	28206074	3010047650	PIN	PARALLEL PIN	1
114	28207112	3020040210	ROLLER PIN	ROLLER PIN	1
115	28207224	3022050220	ROLLER PIN	ROLLER PIN	3
116	25305020	3030030250	SPRING PIN	SPRING PIN	1
117	28208080	3030032200	SPRING PIN	SPRING PIN	1
118	28208107	3030040250	SPRING PIN	SPRING PIN	1
119	25307360	3200010220	RETAINING RING	RETAINING RING	1
120	25307913	3200130230	RETAINING RING	RETAINING RING	1
121	61200100	4150100100	O RING	O RING	1
122	61200120	4150100120	O RING	O RING	1
123	63910090	4152100090	O RING	O RING	1