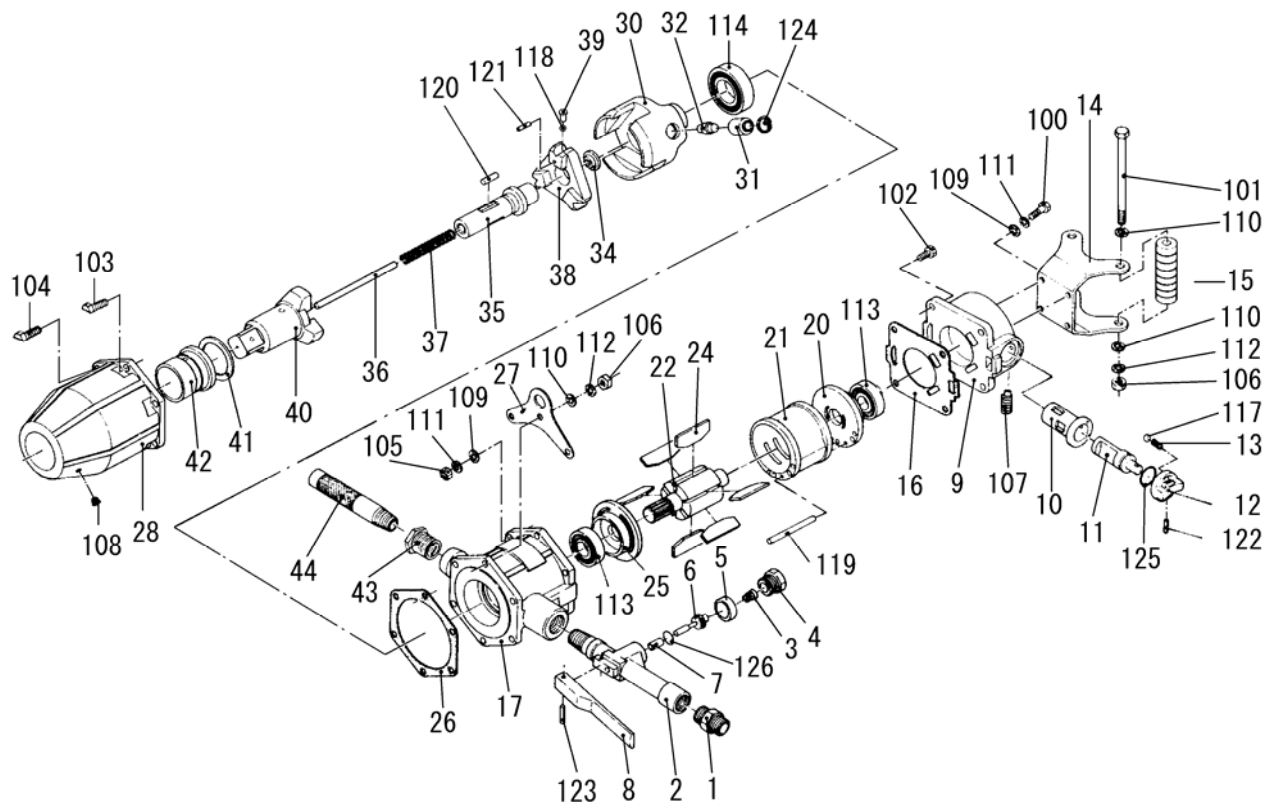


PARTS LIST

NWH-500

523171 (I73001)

523181 (I73051) (NPT)



日本ニューマチック工業株式会社
NIPPON PNEUMATIC MFG.CO.,LTD.

新旧対照リスト

(1/2)

COMPARISON LIST

型式 MODEL: NWH-500

符号	新品番	現状品番			個数
ITEM	NEW PART NO.	CURRENT PART NO.	NEW PART NAME	CURRENT PART NAME	Q'ty
1	17504560	C02010H020	INLET BUSHING	INLET BUSH	1
2	15211380	I73000H550	HANDLE	HANDLE	1
3	15211310	I73000B210	THROTTLE SPRING	THROTTLE SPRING	1
4	15211370	I73000H360	THROTTLE PLUG	THROTTLE PLUG	1
5	15211350	I73000H280	THROTTLE CAP	THROTTLE CAP	1
6	15211360	I73000H300	THROTTLE VALVE	THROTTLE VALVE	1
7	15211340	I73000H270	THROTTLE BUSH	THROTTLE BUSH	1
8	15211440	I73000H880	LEVER	LEVER	1
9	15211390	I73000H560	HANDLE CAP	HANDLE CAP	1
10	15211420	I73000H810	REVERSE BUSH	REVERSE BUSH	1
11	15211410	I73000H800	REVERSE VALVE	REVERSE VALVE	1
12	15211430	I73000H820	REVERSE LEVER	REVERSE LEVER	1
13	15200940	I07000B800	SPRING	SPRING	1
14	15211710	I73000Z650	BOTTOM BRACKET	BOTTOM BRACKET	1
15	15211330	I73000H150	GRIPE	GRIP	2
16	15211570	I73000P300	TOP SEAL	TOP SEAL	1
17	15211640	I73000R730	ROTOR CASE	ROTOR CASE	1
20	15211600	I73000R300	TOP PLATE	TOP PLATE	1
21	15211590	I73000R200	CYLINDER	CYLINDER	1
22	15211630	I73000R720	ROTOR	ROTOR	1
24	15211610	I73000R500	VANE	VANE	6
25	15211620	I73000R510	BOTTOM PLATE	BOTTOM PLATE	1
26	15211580	I73000P500	BOTTOM SEAL	BOTTOM SEAL	1
27	15211690	I73000Z560	HANGER	HANGER	1
28	15211510	I73000I450	HAMMER CASE	HAMMER CASE	1
30	15211531	I73001I471	HAMMER	HAMMER	1
31	15211721	I73001Z661	BEARING BUSH	BEARING BUSH	1
32	15211461	I73001I101	CAM ROLLER	CAM ROLLER	1
34	15211490	I73000I210	THRUST WASHER	THRUST WASHER	1
35	15211470	I73000I110	CAM SHAFT	CAM SHAFT	1
36	15211660	I73000R760	ROTOR PIN	ROTOR PIN	1
37	15211320	I73000B580	PUSH SPRING	PUSH SPRING	1
38	15211500	I73000I220	SPINDLE CLUTCH	SPINDLE CLUTCH	1
39	15211680	I73000Z250	STOPPER PIN	STOPPER PIN	1
40	15211450	I73000I050	ANVIL	ANVIL	1
41	15211480	I73000I200	SPACER	SPACER	1
42	15211520	I73000I460	CASE BUSH	CASE BUSH	1
43	15211550	I73000I600	HOLDER JOINT	HOLDER JOINT	1

日本ニューマチック工業株式会社

NIPPON PNEUMATIC MFG. CO., LTD.

NWH-500_523171_I73001_020419.xls

新旧対照リスト

COMPARISON LIST

(2/2)

型式 MODEL: NWH-500

符号 ITEM	新品番 NEW PART NO.	現状品番 CURRENT PART NO.	NEW PART NAME	CURRENT PART NAME	個数 Q'ty
44	15211540	I73000I580	HOLDER	HOLDER	1
100	74008025	1050108025	CAP SCREW	HEX. SOCKET CAP SCREW	4
101	72210138	1010110138	HEX. BOLT	HEX. BOLT	2
102	28100204	1991908002	SET BOLT	SET BOLT	4
103	28100206	1991910003	SET BOLT	SET BOLT	3
104	28100207	1991910004	SET BOLT	SET BOLT	3
105	76111208	1204010108	HEX. NUT	HEX. NUT	4
106	76111210	1204010110	HEX. NUT	HEX. NUT	8
107	28100467	1602010616	SET SCREW	HEX. SOCKET SET SCREW	1
108	28100502	1700112009	HEX. SOCKET PLUG	HEX. SOCKET PLUG	1
109	76310208	1951010080	WASHER	PLAIN WASHER	8
110	76323210	1951020100	WASHER	PLAIN WASHER	10
111	76420108	1954020080	SPRING WASHER	SPRING WASHER	8
112	76420110	1954020100	SPRING WASHER	SPRING WASHER	8
113	28201093	2012006206	BALL BEARING	BALL BEARING	2
114	28201096	2012006209	BALL BEARING	BALL BEARING	1
117	28205026	2800110175	STEEL BALL	STEEL BALL	1
118	25502030	2800110250	STEEL BALL	STEEL BALL	11
119	28206115	3013060020	PIN	PARALLEL PIN	1
120	28207195	3020070280	ROLLER PIN	ROLLER PIN	3
121	28208106	3030040240	SPRING PIN	SPRING PIN	1
122	25305090	3030050250	SPRING PIN	SPRING PIN	1
123	28208133	3030050300	SPRING PIN	SPRING PIN	1
124	25307914	3200130240	RETAINING RING	RETAINING RING	1
125	61200240	4150100240	O RING	O RING	1
126	63910130	4152100130	O RING	O RING	1