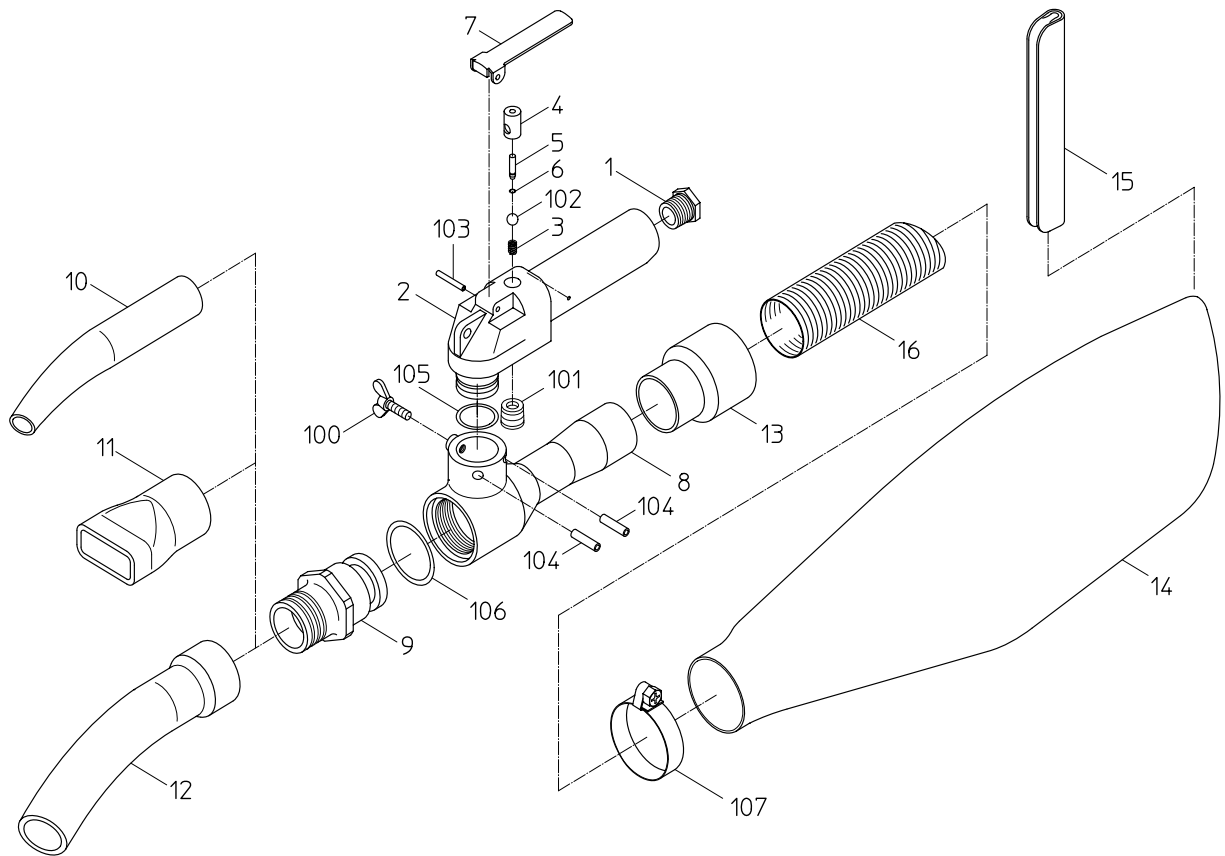


PARTS LIST

JAC-2

620791 (Y01001)

620801 (Y01051) (NPT)



日本ニューマチック工業株式会社
NIPPON PNEUMATIC MFG.CO.,LTD.

新旧対照リスト

(1/1)

COMPARISON LIST

型式 MODEL: **JAC-2**

符号 ITEM	新品番 NEW PART NO.	現状品番 CURRENT PART NO.	NEW PART NAME	CURRENT PART NAME	個数 Q'ty
1	15100400	D04000H020	INLET BUSHING	INLET BUSH	1
2	17202390	Y01000H550	HANDLE	HANDLE	1
3	15204050	I31000B210	THROTTLE SPRING	THROTTLE SPRING	1
4	17202380	Y01000H270	THROTTLE BUSH	THROTTLE BUSH	1
5	17509170	F02000H310	THROTTLE PIN	THROTTLE PIN	1
6	17509230	F02000Z340	STOPPER RING	STOPPER RING	1
7	17509190	F02000H880	LEVER	LEVER	1
8	17202400	Y01000H620	FEED SLEEVE	FEED SLEEVE	1
9	17202450	Y01000Z030	ADAPTOR	ADAPTOR	1
10	17202410	Y01000Y230	SMALL NOZZLE	SMALL NOZZLE	1
11	17202420	Y01000Y240	SQUARE NOZZLE	SQUARE NOZZLE	1
12	17202440	Y01000Y580	NOZZLE	NOZZLE	1
13	17202470	Y01000Z240	JOINT	JOINT	1
14	17202430	Y01000Y400	DUST BAG	DUST BAG	1
15	17202460	Y01000Z170	CLIPPER	CLIPPER	1
16	17202480	Y01000Z330	MOVING COLLAR	MOVING COLLAR	1
100	28100375	1150105015	WING BOLT	WING BOLT	1
101	28100351	1997001006	HEX. SOCKET PLUG	HEX. SOCKET PLUG	1
102	28205048	2800210250	RUBBER BALL	RUBBER BALL	1
103	28208064	3030030220	SPRING PIN	SPRING PIN	1
104	28208128	3030050200	SPRING PIN	SPRING PIN	2
105	61200210	4150100210	O RING	O RING	1
106	61200340	4150100340	O RING	O RING	1
107	28699028	9070203800	HOSE CRIP	HOSE CRIP	1