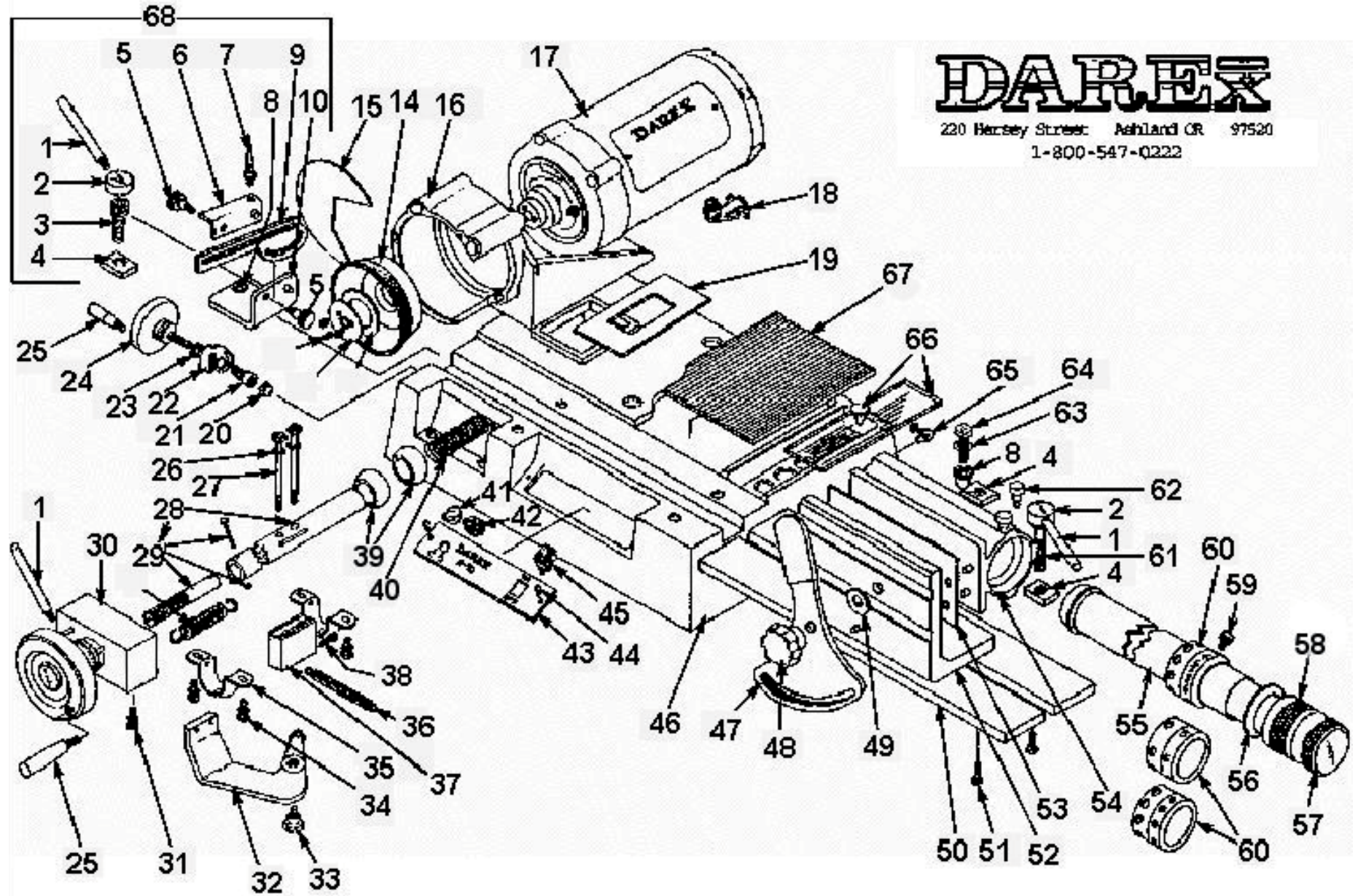


E90
END MILL SHARPENER



PRECISION ENDMILL SHARPENER E-85 OR E-90

**E90
PARTS LIST**

NUMBER	ITEM	ITEM_DESC	NUMBER	ITEM	ITEM_DESC
NOT SHOWN	PP04033EF	CORDSET	27	PP08516FF	1/4-20X3-1/4 HEX BOLT GR.8
NOT SHOWN	PP05868EF	M5/E90/BK65 LAMP (MOFFAT)	28	SA08535TA	MAIN ARBOR ASSEMBLY
NOT SHOWN	PP08078FF	1/4X1/8 MPT REDUCING NPPL.	29	SA08536TA	MAIN ARBOR SCREW/ROLL PIN
NOT SHOWN	PP08086SF	PIN SPANNER WRENCH	30	SA08300TA	INFEED MECHANISM ASSEMBLY
NOT SHOWN	PP08654EF	#2 E-90 WIRE HARNESS 230V.	31	PP04055FF	1/4-20X3/4 HEX BOLT
NOT SHOWN	PP08656EF	E-90 WIRE HARNESS 230V.	32	SA08550SA	CROSS FEED ARM W/ WEAR PLATE
NOT SHOWN	PP08684TF	STYLUS HEIGHT SETTING PIN	33	PP08554TF	CR.FD.ARM MOUNTING BOLT
NOT SHOWN	PP08735KF	EM80/85/90 INSTRUCTIONS	34	PP08544FF	1/4-20X1-1/4 HSSS CP PT
NOT SHOWN	PP09028NF	AIR LINE FILTER	35	PP08539SF	ARBOR BEARING CLAMP
NOT SHOWN	PP09050NF	DIAMOND DRESSER	36	PP08525RF	MOTOR EXTENSION SPRING
NOT SHOWN	PP09090PF	SP EM & DS PROTECTIVE COVER	37	PP08514BF	FISHTAIL FOLLOWER BLOCK (OBSSO)
NOT SHOWN	SA08030TA	SPINDLE SLEEVE W/O-RINGS	38	PP03928FF	1/4-20X3/4 SHCS
NOT SHOWN	SA09050NA	DIAMOND DRESSER FIXTURE	39	SA08538LA	ARBOR SLEEVE BUSHINGS (2)-SELF-
NOT SHOWN	SA09080NA	5C COLLET SET	40	PP08537RF	ARBOR COMPRESSION SPRING
NOT SHOWN	SA09085NA	METRIC 5C COLLET SET	41	PP09012PF	FOR./REV. SWITCH KNOB
1	PP08122TF	BOLT HANDLE LEVER	42	PP09010EF	FORWARD/REVERSE SWITCH
2	PP08114TF	BOLT HANDLE BUSHING	43	PP08660DF	E85 NAME PLATE
3	PP08614FF	3/8-16X1-1/4 SHCS .558-.560 HEAD DI	43	PP08662DF	E90 NAME PLATE
4	PP08126SF	MOUNTING PLATE T-NUT	44	PP08678FF	6-32X3/8 TYPE F SCREW
5	PP08140TF	STYLUS FIXTURE KNOB	45	PP02165EF	115V/230V. SWITCH SERIES 52
6	SA08144SA	STYLUS SIZE ADJ. PLATE W/PIN	46	PP08500CF	BASE CASTING
7	SA08154TA	CARBIDE STYLUS W/LOCKNUT	47	SA08072SA	SPINDLE HEIGHT LEVER W/COVER
8	PP08084TF	GUIDE FLANGE PIN	48	SA08064PA	SPINDLE HEIGHT KNOB/SCREW
9	PP08130SF	STYLUS ANGLE ADJ. PLATE	49	PP08074FF	.375X1X.125 NYLON FLAT WASHER
10	PP08105SF	STYLUS MOUNTING PLATE	50	SA08690BA	E85/E90 WAYS (2)
11	PP08648FF	10-32X3/4 BHCS (USE PP08634FF)	51	PP03330FF	1/4-20X1/2 HEX BOLT
11	PP08650FF	#10 MED. DUTY SPLIT L/W	52	PP08060XF	SPNDL.HOUS.SUPP.EXTRUSION
12	PP08646SF	WHEEL FLANGE	53	PP08054SF	HOUSING NYLON BUFF. PLATE
13	PP08644SF	WHEEL BALANCING WASHER	54	SA08040XA	AIR SPINDLE HOUSING W/SLEEVE
14	PP08620GF	CUP WHEEL 5X1-3/4X1-1/4	55	SA08002TA	AIR SPINDLE W/RET. RING
14	PP08624GF	DIAMOND CUP WHEEL 5X1-3/4X1-1/4	56	PP08017SF	DRAW TUBE THRUST WASHER
14	PP08626GF	BORAZON CUP WHEEL 5X1-3/4X1-1/4	57	PP08019TF	DRAW TUBE SLIP KNOB
15	PP08630SF	WHEEL GUARD COVER	58	SA08016TA	DRAW TUBE & KNOB ASSEMBLY
16	PP08505CF	MOTOR/WHEEL CASTING	59	PP08024TF	SPINDLE COLLAR LOCK KNOB
17	SA08600MA	115V EM MOTOR/WHEEL HUB	60	PP08020TF	SPINDLE INDEXING COLLAR
17	SA08602MA	230V EM MOTOR/WHEEL HUB	61	PP08080FF	3/8-16X1-3/8 SHCS
18	PP08676EF	3/8 90 DEG. FLEX-CONNECTOR	62	SA08044TA	INDEXING PIN/KNOB/& BUSHING
19	PP08512SF	MAIN ARBOR GRIT SEAL	63	PP08742FF	3/8 SAE FLAT WASHER
20	SA08564FA	CROSS FEED ACORN NUT W/SET	64	PP08740FF	3/8-16X1-1/2 HEX BOLT GR 5
21	PP08580TF	CROSS FEED SCREW BUSHING	65	PP08048SF	AIR SPINDLE LOCK DOG
22	PP08584SF	CR.FD.SCREW GRIT COVER	66	SA08680SA	COLLET COVER W/KNOB
23	PP08586FF	15/32-32 .07THK.HEX NUT	67	PP09018PF	TOOL TRAY MAT
24	SA08568TA	CROSS FEED SCREW W/KNOB	68	SA08100SA	STYLUS FIXTURE ASSEMBLY
25	PP08324TF	FEED KNOB HANDLE			
26	PP04057FF	1/4 MED DUTY SPLIT L/W			