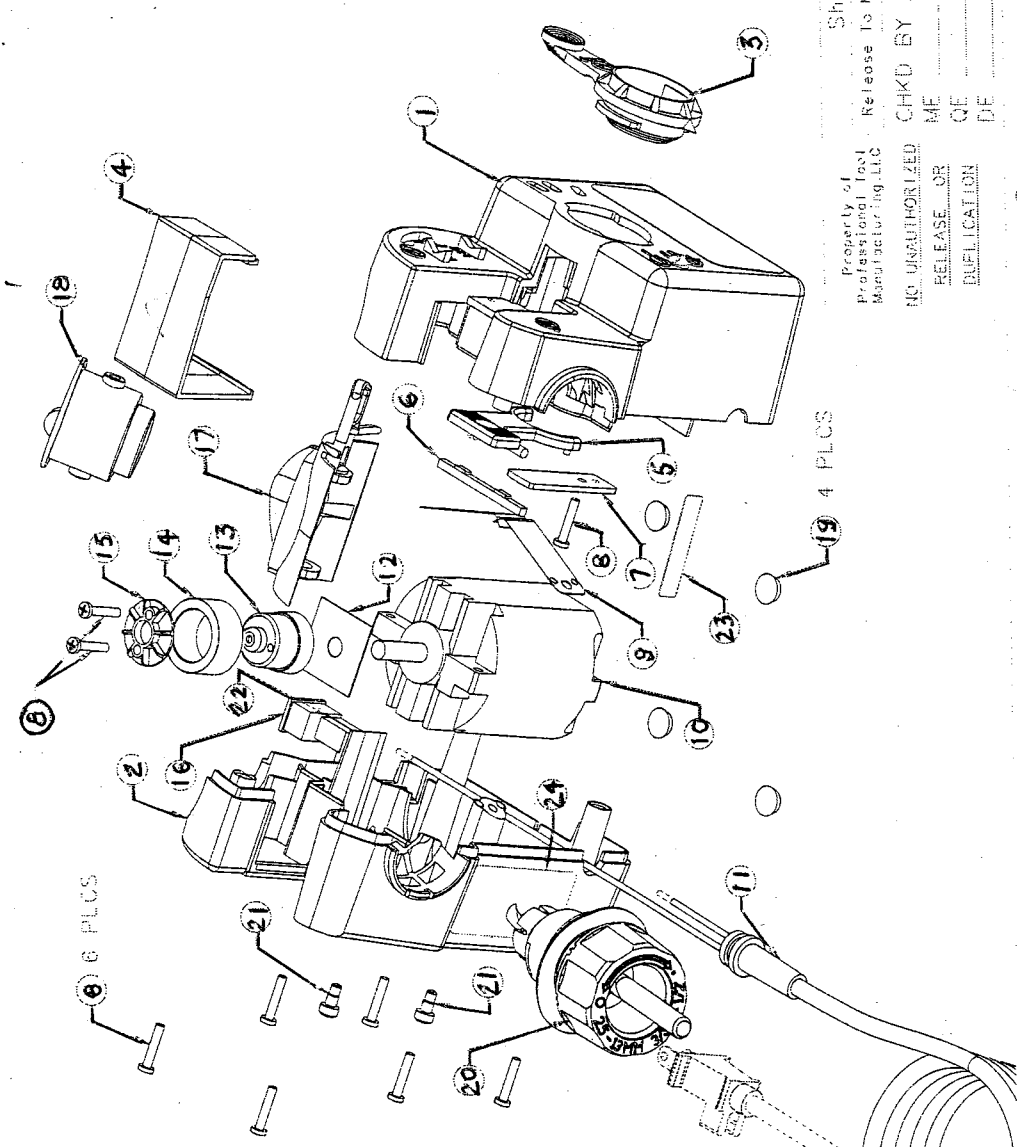
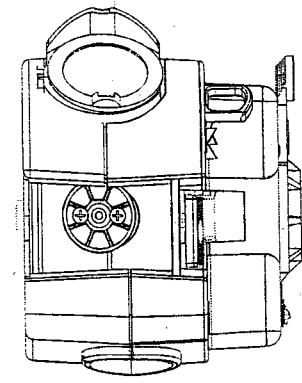


A B C D E



| REF | P/N       | DESC                   |
|-----|-----------|------------------------|
| 1   | PF01405FF | FRONT HOUSING          |
| 2   | PF01410FF | REAR HOUSING           |
| 3   | PF01456FF | TIMING TUBE (UPDATE)   |
| 4   | PF01473FF | WHEEL ACCESS COVER     |
| 5   | PF01147FF | PADDLE (SHORT PRINT)   |
| 6   | PF01148FF | PADDLE RETAINER        |
| 7   | PF01125FF | OPAL STOP PLATE        |
| 8   | PF01340FF | 6-19 X 3/4 SCREW       |
| 9   | PF01412SF | PAWL                   |
| 10  | PF01301MF | 115V MOTOR             |
| 11  | PF01367FF | 115V POWER CORD        |
| 12  | PF01309FF | FELT SEAL              |
| 13  | PF01313FF | WHEEL SHOE             |
| 14  | PF01323CF | GRINDING WHEEL         |
| 15  | PF01333CF | WHEEL RETAINER         |
| 16  | PF01335CF | ON/OFF SWITCH          |
| 17  | PF01428FF | COMPOUNDING TUBE       |
| 18  | PF01428FF | SHARPENING TUBE        |
| 19  | PF01116FF | RUBBER FOOT            |
| 20  | SA01508PA | 1/4" OD CHUCK ASSY.    |
| 21  | PF01333FF | MOTOR MOUNT SCREW      |
| 22  | PF01344FF | SWITCH INSULATOR       |
| 23  | PF01484DF | SENSOR MATHS TAG       |
| 24  | PF01568DF | THERMAL TRANSFER DECAL |

Notes:  
 Professional Tool Manufacturing LLC  
 210 East 1st Street, P.O. Box 730, Ames, IA 50010  
 Telephone: 563-552-7011 Fax: 563-552-1377  
 TITLE: DD500 ASSY DD500 - DD750  
 SCALE: N/A BY: RJI DATE: 8/29/02 PART #: DD500

Property of Professional Tool Manufacturing, LLC  
 NO UNAUTHORIZED RELEASE OR DUPLICATION  
 Release To Manufacturing  
 CHKD BY ME  
 RELEASE OR DUPLICATION  
 DE

Sheet 4 of 4  
 Release To Manufacturing  
 CHKD BY ME  
 RELEASE OR DUPLICATION  
 DE

Revision 0