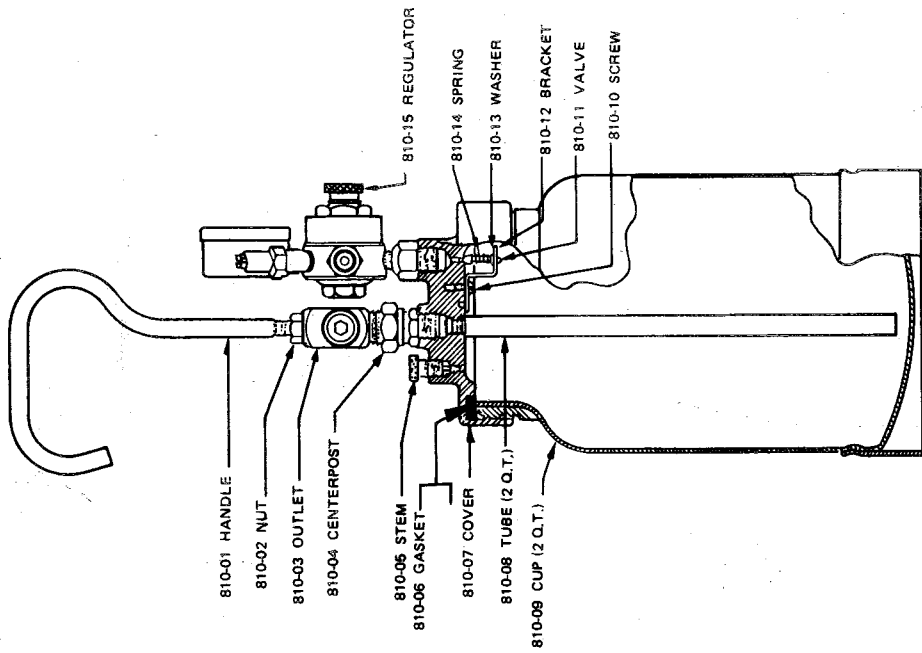


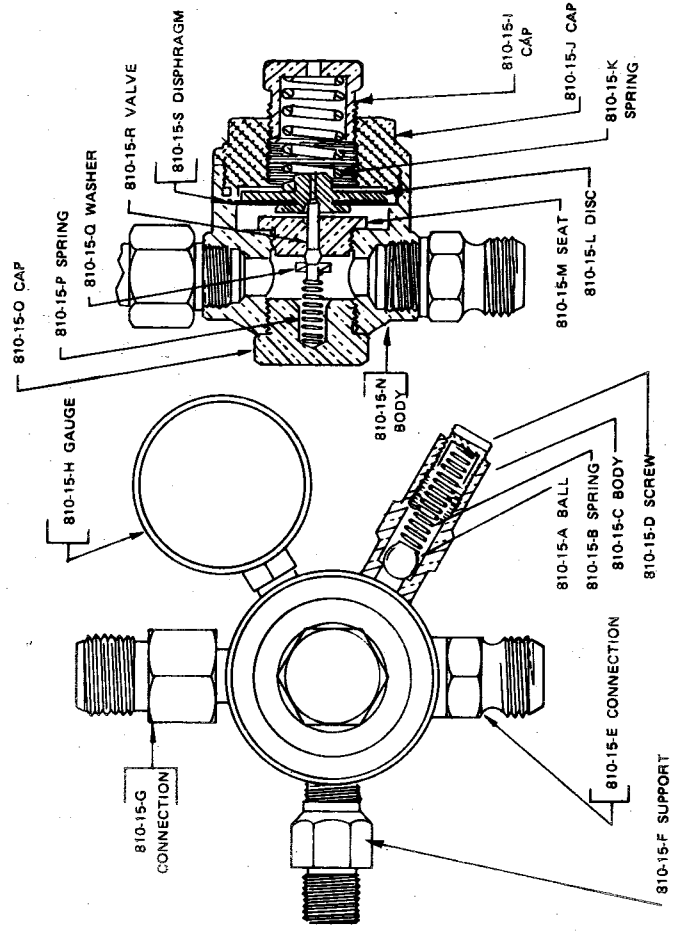
# PAINT SPOT DIAGRAM



## PARTS LIST

Part No.	Description	Qty.	Part No.	Description	Qty.
810-01	Handle	1	810-09	Cup (1 Qt.)	1
810-02	5/16 Hex Jam Nut	1	810-10	No. 6-32 x 1/4 Rd. Hd. M. Screw	1
810-03	Fluid outlet	1	810-11	Check Valve	1
810-04	Center Post Assembly	1	810-12	Check Valve Bracket	1
810-05	Relief Valve Stem	1	810-13	Check Valve Washer	1
810-06	Cover Gasket	1	810-14	Check Valve Spring	1
810-07	Cover	1	810-15	Regulator Assembly	1
810-08	Fluid Tube (2 Qt.)	1			

# AIR PRESSURE REGULATOR ASSEMBLY



## PARTS LIST

Part No.	Description	Qty.	Part No.	Description	Qty.
810-15-A	1/4 Dia. Brass Ball	1	810-15-K	Adjust Spring	1
810-15-B	Safety Valve Spring	1	810-15-L	Diaphragm Disc	1
810-15-C	Safety Valve Body	1	810-15-M	Valve Seat	1
810-15-D	Safety Valve Spring Screw	1	810-15-N	Regulator Body	1
810-15-E	Air Connection, 1/4 N.P.S.	1	810-15-O	Rear Cap	1
810-15-F	Support	1	810-15-P	Valve Spring	1
810-15-G	Air connection, 1/4 N.P.S.	1	810-15-Q	Valve Washer	1
810-15-H	Air Gauge (60 P.S.I.)	1	810-15-R	Adjusting Valve	1
810-15-I	Adjusting Cap	1	810-15-S	Disphragm	1
810-15-J	Front Cap	1			

No.	Describing	Qty	No.	Describing	Qty	No.	Description	Qty
1	Air Cap Set #1/#2/#3	1	9	Needle Valve Spring	1	17	Trigger	1
2	Fluid Nozzle #1/#2/#3	1	10	Fluid Needle #1/#2/#3	1	18	Air Valve Spring	1
3	Needle Valve Packing	5	11	O Ring	1	19	Air Valve	1
4	Needle Valve Packing Seat	1	12	Gun Body	1	20	Air Valve Seat Set	1
5	Spreader Adjusting Valve Set	1	13	Air Hose Joint	1	21	Fluid Joint	1
6	Gasket	2	14	Air Adjusting Valve Set	1	22	Air Joint	1
7	Needle Valve Guide	1	15	Trigger Stopper	2	23	Air Joint Nut	1
8	Fluid Adjusting Screw	1	16	Trigger Bearing Stud	1			

Model	Type	Fluid Tip (I.D.) mm	Fluid Tip (I.D.) in	Required Air kg/cm <sup>2</sup>	Required Air psi	Air Consumption l/min	Air Consumption cfm	Max. Output cc/min	Max. Spray Pattern mm	Max. Spray Pattern in	Necessary Compressor	Cup Capacity	Approx Weight Gun-Cup
S-770-1G	Gravity	1.5	0.06	3-3.5	40-50	175	6.18	240	220	8.66	0.75KW	0.45l	900g
S-770-11G	Gravity	1.5	0.06	3-3.5	40-50	290	10.25	255	260	10.24	1.5 KW	0.45l	900g
S-770-2G	Gravity	2.0	0.08	3-3.5	40-50	240	8.48	330	260	10.23	1.5 KW	0.45l	900g
S-770-21G	Gravity	2.0	0.08	3-3.5	40-50	340	12.01	350	270	10.63	1.5 KW	0.45l	900g
S-770-3G	Gravity	2.5	0.1	3-3.5	40-50	330	11.66	420	285	11.22	1.5 KW	0.45l	900g
S-770-1S	Suction	1.5	0.06	3-3.5	40-50	175	6.18	240	210	8.27	0.75KW	1l	950g
S-770-11S	Suction	1.5	0.06	3.5	50	290	10.25	255	260	10.24	1.5 KW	1l	950g
S-770-2S	Suction	2.0	0.08	3.5	50	240	8.48	330	255	10.04	1.5 KW	1l	950g
S-770-21S	Suction	2.0	0.08	3.5	50	340	12.01	390	270	10.63	1.5 KW	1l	950g
S-770-3S	Suction	2.5	0.1	3.5	50	330	11.66	420	280	11.02	1.5 KW	1l	950g
S-770-02P	Pressure	1.2	0.047	3.5	50	420	14.84	480	400	15.74	2.1-3.6KW		550g

