

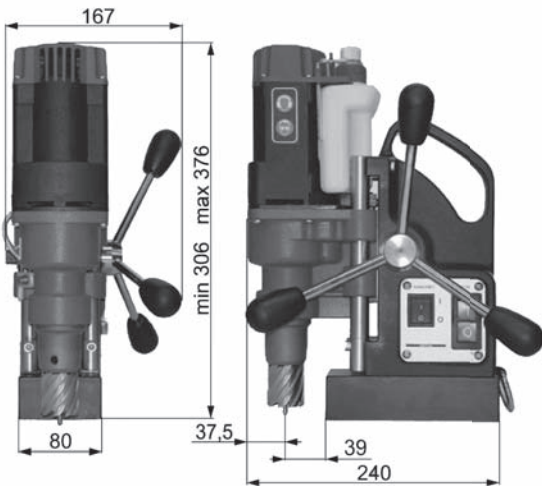
# HM30

## PORTABLE MAGNETIC DRILLING MACHINE



- *Quality European Made*
- *Lightweight & Compact*
- *Fully Featured Machine*
  
- *30mm Diameter*
- *Cutter Capacity*

Featuring a powerful dual coil magnet and 920Watt Industrial motor. The HM30's low profile, integrated coolant system and the ability to quickly change the feed handles to left or right hand operation make this machine ideal for working in confined spaces. Dual rail slide system provides rigidity and eliminates the need for gib adjustments.



### TECHNICAL INFORMATION

Part No.	HM30
Capacity ( Diameter )	30mm
Capacity ( Depth )	52mm
Motor	920watt Single Phase 350rpm
Weight	10.5kg
Magnetic Dead Lift	9500nm on 25mm Steel Plate
Height ( min / max )	306 / 376mm

Incorporated Through Spindle Coolant System

Smart Magnet Technology to ensure sufficient Magnetic Adhesion

Supplied In Metal Carry Case with Cutter Arbor, Guard & Safety Strap



Local Dealer