

HM40

PORTABLE MAGNETIC DRILLING MACHINE

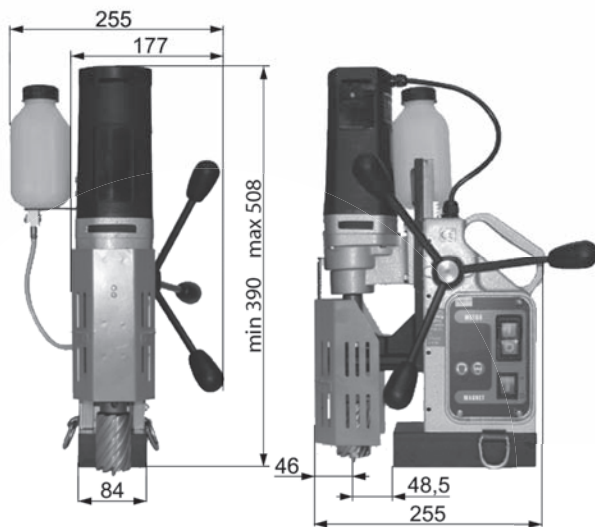
- Economical & Versatile Machine
- 40mm Diameter Cutter Capacity

Featuring an 1100watt Motor, Powerful Twin Coil Magnet Capacity of 40mm Diameter & 52mm Depth of Cut. The QuickGrip arbor provides fast changing of cutters without the need for any tools. The ability to easily accept twist drills up to 13mm (using the optional chuck & adaptor), makes this a versatile machine. Through cutter coolant feed, with an external side mounted coolant tank ensures smooth fast clean hole cutting.

With all the above features in a high quality, compact, light weight, durable machine, the Holemaker 40 is Exceptional Value for Money.



Optional 13mm Drill Chuck & Adaptor Available for use with Standard Drill Bits



TECHNICAL INFORMATION

Part No.	HM40
Capacity (Diameter)	40mm
Capacity (Depth)	52mm
Motor	1100watt Single Phase 440rpm
Weight	13.7kg
Magnetic Dead Lift	10650nm on 25mm Steel Plate
Height (min / max)	390 / 508mm
Incorporated Through Spindle Coolant System	
Smart Magnet Technology to ensure sufficient Magnetic Adhesion	
Supplied In Metal Carry Case with Cutter Guard & Safety Strap	



Local Dealer