

# Holemaker®

QUALITY EUROPEAN MADE MAGNETIC DRILLING MACHINES

## HMP35AD

- No electrical components, ideal in hazardous environments

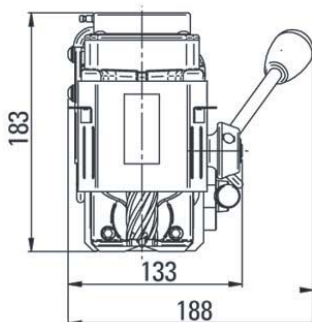
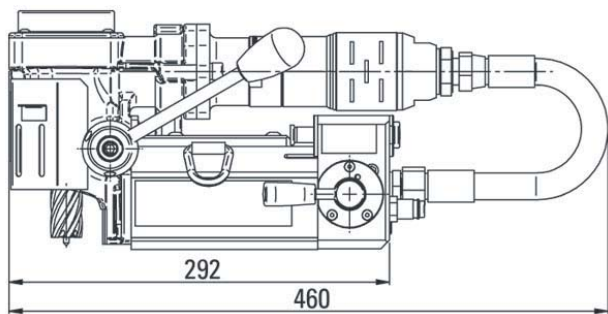
- Low profile, angle drive machine



The HMP35AD is a small portable pneumatic drilling machine which allows holes to be drilled up to 35mm diameter in places with restricted space, using standard 3/4" Weldon shank cutters. This machine is the lowest height magnetic drill currently available on the world market.

The combination of pneumatic drive and permanent magnetic base eliminate the need of electric power supply thus making this machine an ideal solution in many hazardous environments such as oil drilling platforms, mining industry, shipbuilding or petrochemical industry.

**The compressed-air motor used in the HMP35AD drill is certified ATEX II2G/D C IIC T6;T4 and meets the requirements for use in areas with a risk of explosion.**



Part No.	HMP35AD
Air consumption	1400 l/min
Motor power	800 W
Tool holder	19 mm (3/4") Weldon
Max diameter of cut	35 mm
Max depth of cut	25 mm
Cooling system	Through Spindle
Magnet dead lift (on 25 mm plate)	6500 N
Overall dimensions: L x W x H	480 x 168 x 180
Weight	13.0kg
Incorporated Through Spindle Coolant System using remote bottle	
Supplied In Metal Carry Case with Cutter Guard & Safety Strap	

Local Dealer