

JM101

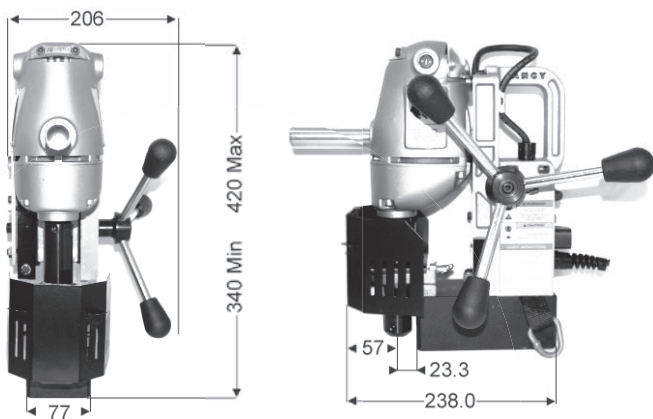
PORTABLE MAGNETIC DRILLING MACHINE

- *A Robust Proven Performer
Built To Last*
- *35mm Diameter
Cutter Capacity*

Rugged American construction ensures the ongoing reliability of this machine in the most demanding workplaces. The JM101 is a robust, powerful proven performer built to last. Accepts Sluggerr cutters up to 35mm diameter and 52mm depth of cut. Positive slug ejection system ensures slug will not remain in after the cut. Roller bearing assembly supports arbor system, increasing performance while reducing wear. Powerful motor with cast aluminum housing. Optional 13mm Chuck and Adaptor.



Optional 13mm Drill Chuck & Adaptor
Available for use with Standard Drill Bits



TECHNICAL INFORMATION

Part No.	JM101
Capacity (Diameter)	35mm
Capacity (Depth)	52mm
Motor	700watt Single Phase 450rpm
Weight	12.7kg
Magnetic Dead Lift	8500nm on 25mm Steel Plate
Height (min / max)	340mm / 420mm
Supplied In Moulded Carry Case with Cutter Guard & Safety Strap	



Local Dealer