

# MAGFORCE

## PORTABLE MAGNETIC DRILLING MACHINE

- *Revolutionary Ultra Compact Design With Constant Working Height*
- *40mm Diameter Cutter Capacity*

Designed & Built By Jancy Engineering Company USA, this is a very unique machine with it's ultra compact quill feed design it maintains a constant working height as low as 285mm & weighing only 12kg the Magforce can be utilized in areas not possible with other machines. The Magforce is perfect for drilling vertical, horizontal or upside down in extremely tight spots. The feed handles can be easily & quickly changed from left to right hand operation, or removed to expose a hex drive which can be operated by a socket & bar or other handtools to add to the versatility of this machine. The robust construction of the cylindrical feed spindle provides rigid support & alignment to the cutter, and with the elimination of slides & gibbs no adjustments are necessary. Positive Slug Ejection System ensures slug will not remain in after the cut.



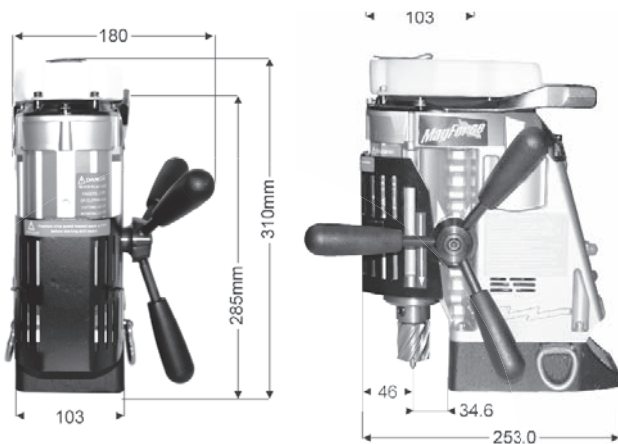
### TECHNICAL INFORMATION

Part No.	MFV1
Capacity ( Diameter )	40mm
Capacity ( Depth )	52mm
Motor	1200watt Single Phase 395rpm
Weight	12.0kg
Magnetic Dead Lift	8000nm on 25mm Steel Plate
Height ( min / max )	285mm without fluid tank 310mm with fluid tank

Incorporated Through Spindle Coolant System

Smart Magnet Technology to ensure sufficient Magnetic Adhesion with indicator light.

Supplied In Moulded Carry Case with Cutter Guard & Safety Strap



Local Dealer