

SM3X3

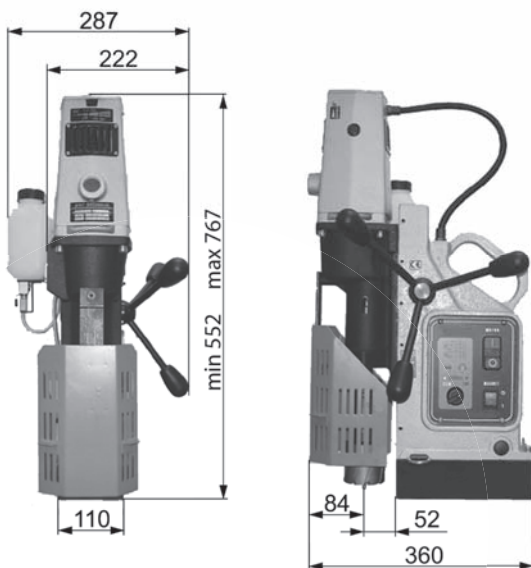
PORTABLE MAGNETIC DRILLING MACHINE

- #3 Morse Taper Machine
Variable Speed with Reverse
- 75mm Diameter
Cutter Capacity

No. 3 Morse Taper Drilling Machine Accepts Sluggger Cutters, No. 3MT Drill Bits, Tapping Head, Reamers. Two speed gearbox with soft start, variable speed motor and reverse function, making this machine ideal for tapping. 75mm diameter x 75mm D.O.C Sluggger Cutter Capacity.



The SM3X3 Accepts #3 Morse Taper Drill Bits, Tapping Heads, Reamers etc. An Optional 19mm Drill Chuck & Arbor is also Available for use with Standard Drill Bits



TECHNICAL INFORMATION

Part No.	SM3X3
Capacity (Diameter)	75mm
Capacity (Depth)	75mm
Capacity (Twist Drills)	#3 Morse Taper 32mm
Motor	1400watt Single Phase
Gearbox	2 Speed Variable with Reverse & Soft Start Function 80-160 / 160-320rpm
Weight	28.0kg
Magnetic Dead Lift	19500nm on 25mm Steel Plate
Height (min / max)	552mm / 767mm
Incorporated Through Spindle Coolant System	
Overload warning light to advise excessive load	
Supplied In Metal Carry Case with Cutter Arbor, Guard & Safety Strap	



Local Dealer