

SM4X4

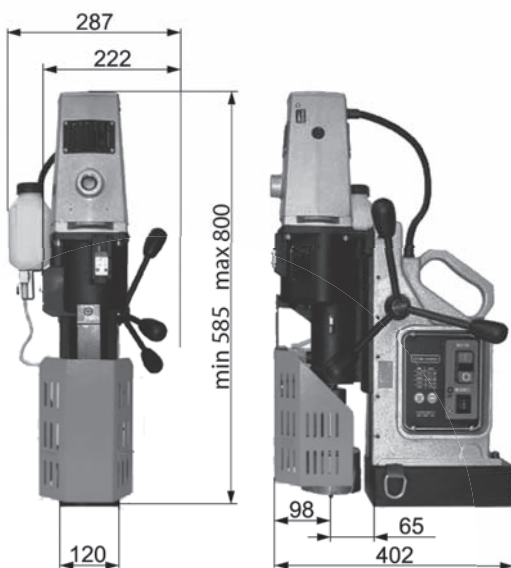
PORTABLE MAGNETIC DRILLING MACHINE

- #3 Morse Taper
Large Capacity Machine
- 102mm Diameter
Cutter Capacity

Retaining the largest hole-making capacity of all Slugger drills, the SM4x4 accurately produces burr-free holes up to 102mm diameter by 75mm depth. 1400w motor with 4-speed mechanical gearbox produces superb torque through gear reduction in low speeds. #3 morse taper spindle bore for use with tapered shank drills. Complete with Arbor and Coolant System for use with 3/4" shank Slugger Cutters up to 75mm depth of cut. Optional arbor available to accept cutters up to 102mm Diameter & 100mm Depth Of Cut.



The SM4X4 Accepts #3 Morse Taper Bits & an Optional 19mm Drill Chuck & Arbor is also Available for use with Standard Drill Bits



TECHNICAL INFORMATION

Part No.	SM4X4
Capacity (Diameter)	102mm
Capacity (Depth)	75mm
Capacity (Twist Drills)	#3 Morse Taper 32mm
Motor	1800watt Single Phase
Gearbox	4 Speed Heavy Duty 100 / 150 / 200 / 310rpm
Weight	33.0kg
Magnetic Dead Lift	22000nm on 25mm Steel Plate
Height (min / max)	585mm / 800mm

Incorporated Through Spindle Coolant System

Overload warning light to advise excessive load

Supplied In Metal Carry Case with Cutter Arbor, Guard & Safety Strap



Local Dealer