

USA5000EX

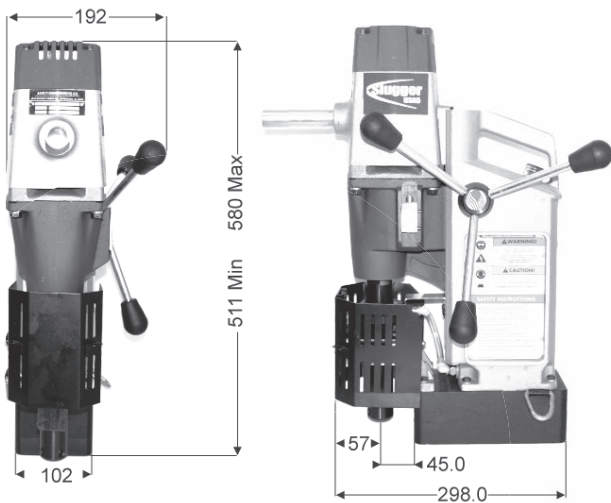
PORTABLE MAGNETIC DRILLING MACHINE

- *Heavy Duty Workhorse
Powerful & Robust*
- *60mm Diameter
Cutter Capacity*

Powerful & Rugged 1400 watt motor with 2 speed gearbox & high density dual coil magnet providing optimum cutting performance. Holes up to 60mm diameter by 75mm depth can be produced quickly and efficiently. Coolant tank housed within machine frame for protection. Coolant level easily visible. Easy & precise adjustment of slides by single screw on Gib Bar. Perfect for Steel Fabrication shops requiring a heavy duty workhorse drill, Powerful & robust. Optional 19mm Chuck available for use with straight shank twist drills.



Optional 19mm Drill Chuck & Adaptor
Available for use with Standard Drill Bits



Imported & Distributed By
Industrial Tool & Machinery Sales
www.industrialtool.com.au



TECHNICAL INFORMATION

Part No.	USA5000EX
Capacity (Diameter)	60mm
Capacity (Depth)	75mm
Capacity (Twist Drills)	19mm With Optional Chuck
Motor	1400watt Single Phase
Gearbox	2 Speed 270 / 520rpm
Weight	21.8kg
Magnetic Dead Lift	15000nm on 25mm Steel Plate
Height (min / max)	511mm / 580mm
Incorporated Through Spindle Coolant System	
Smart Magnet Technology to ensure sufficient Magnetic Adhesion	
Overload warning light to advise excessive load	
Supplied In Moulded Carry Case with Cutter Arbor, Guard & Safety Strap	



Local Dealer